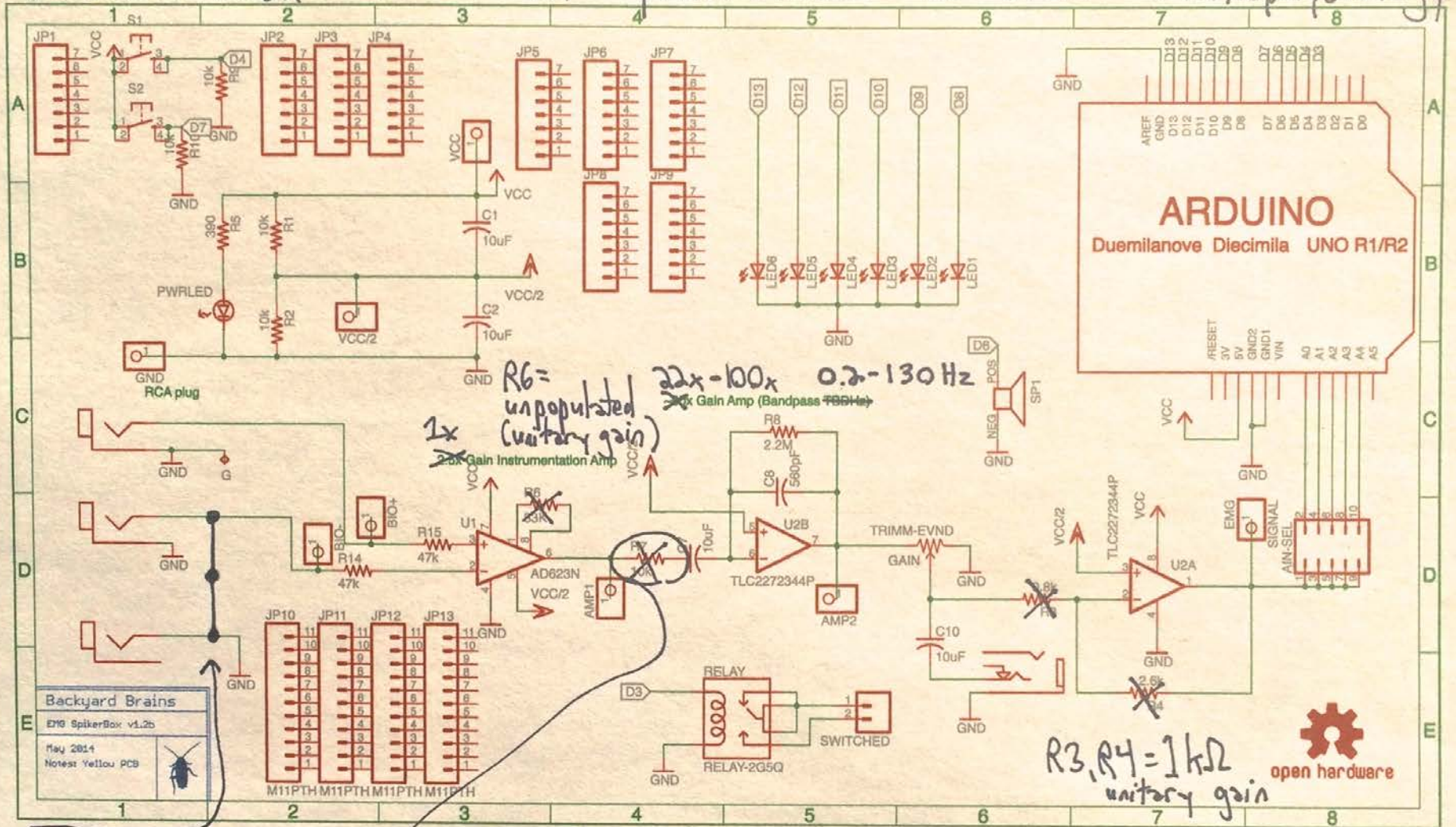


August 21<sup>st</sup>, 2014

# Modification of EKG SpikerShield for Plant Electrophysiology



Bio- & GND tied together

R7 to jumpers allowing  $22 \times$ ,  $47 \times$ , or  $100 \times$  gain  
[ $100k\Omega$ ] [ $47k\Omega$ ] [ $22k\Omega$ ]

R3, R4 =  $1k\Omega$  unitary gain

