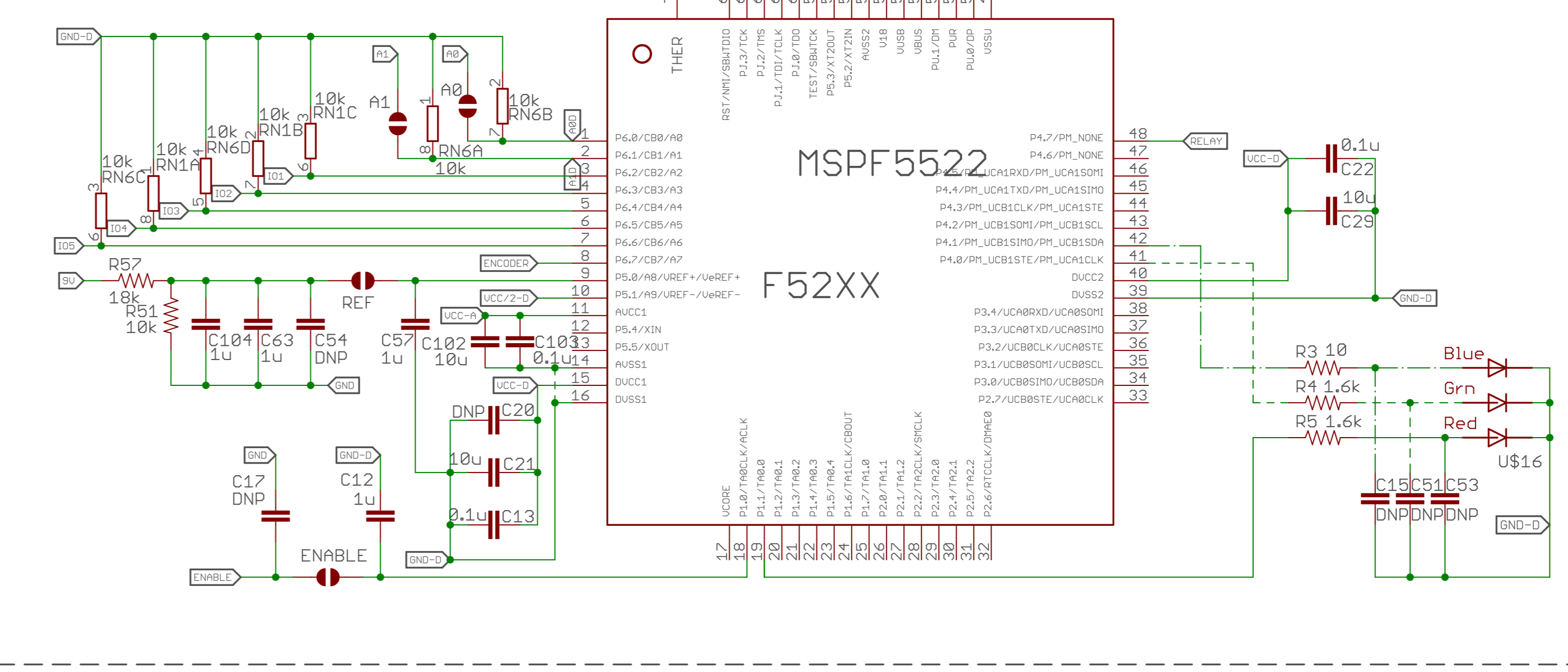
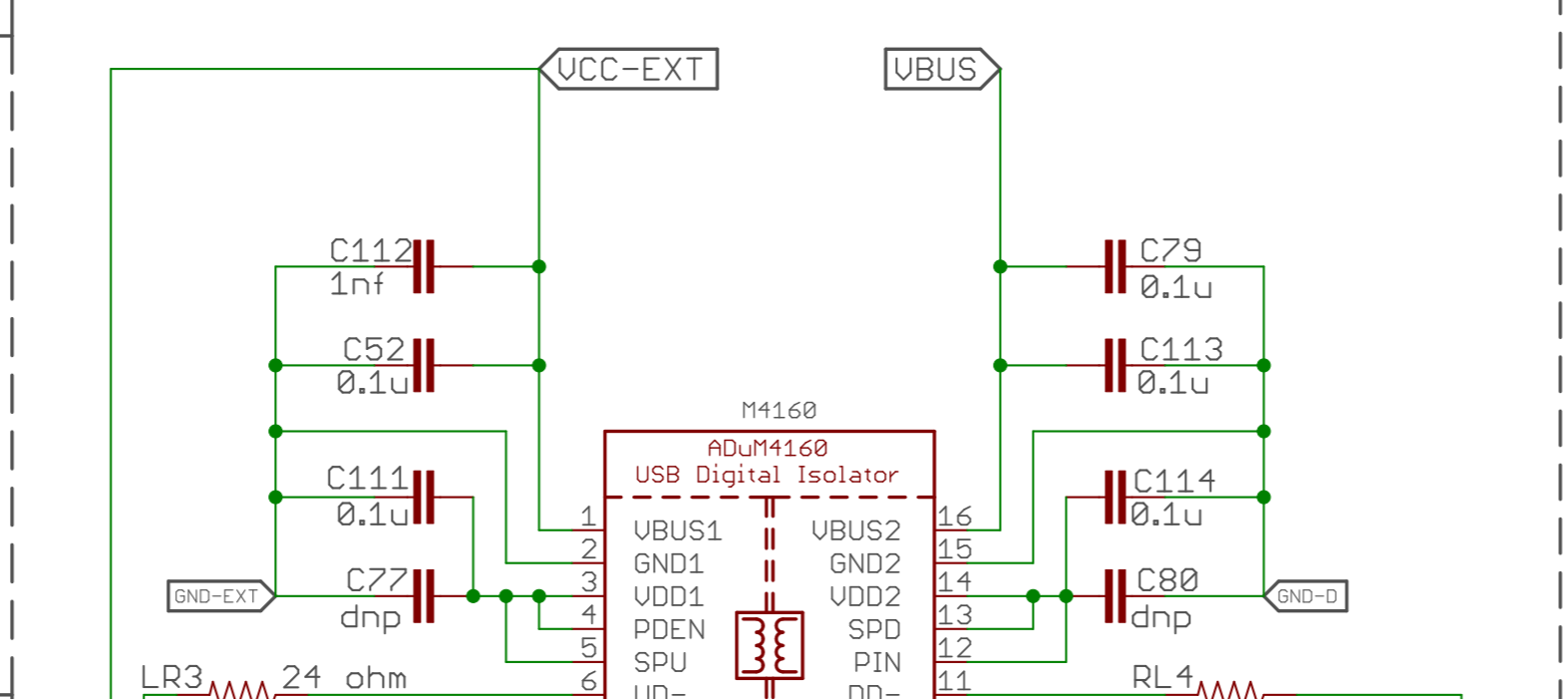
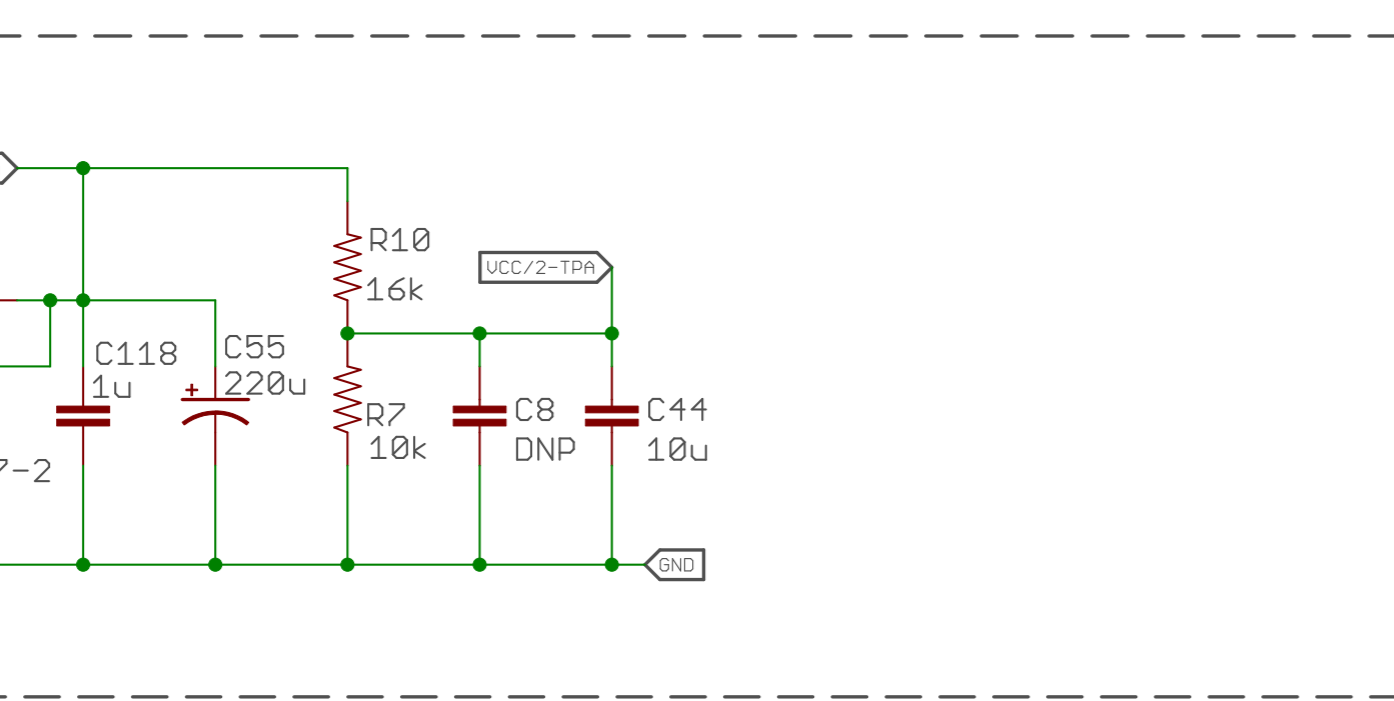
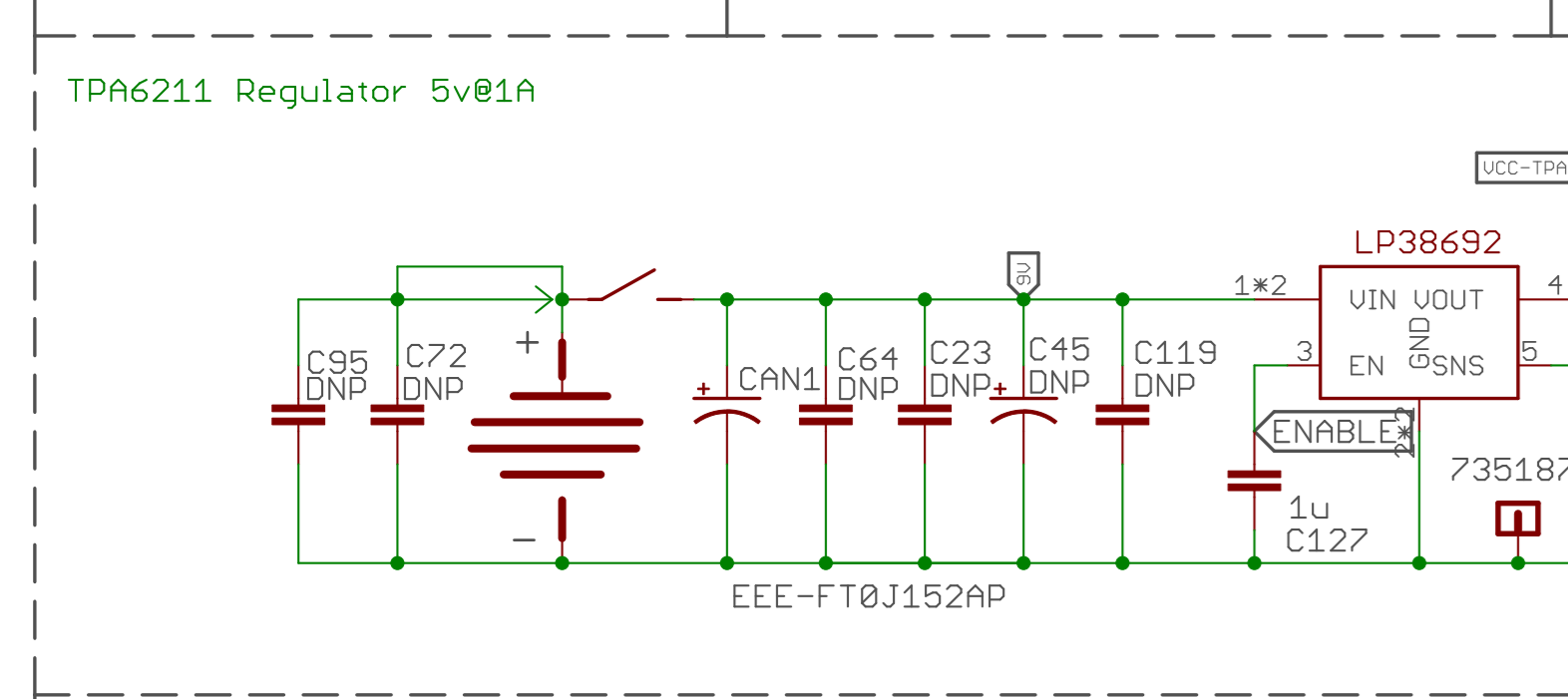


INFO

Release notes:

- 4 Filtering Stages: 2 HPF 2 LPF
- Notch Filter @ 60Hz
- Input referenced to ground
- Main vcc/2 with individual buffers
- Smartphone Output buffers
- 3.2W Speaker output amplifier
- 3 Ground Plains: Analog, Digital and USB
- MSP430F5522 Microprocessor
- Expandable Interface
- Individual power supply for each stage
- Power supply with electronic interaction(on/off)
- Supercap 1.5mf on TPA6211A1 regulator
- Input resistor on digital I/Os allowing 5v input
- I/Os pull down resistor
- RGB LED with Status indicator
- Circuit isolated from USB computer with Adum 4160



Legend

- Resistor
- Capacitor
- Bridge
- Flag
- Test Point
- 3.5mm Audio
- INamp
- OPamp
- Regulator

Neuron SPIKERBOX PRO ###
 *** U1 - May 2017 ***