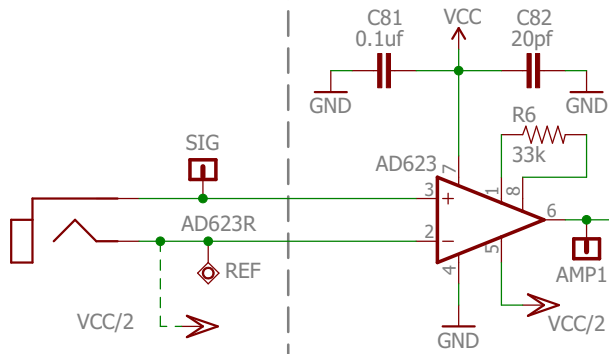


INPUT

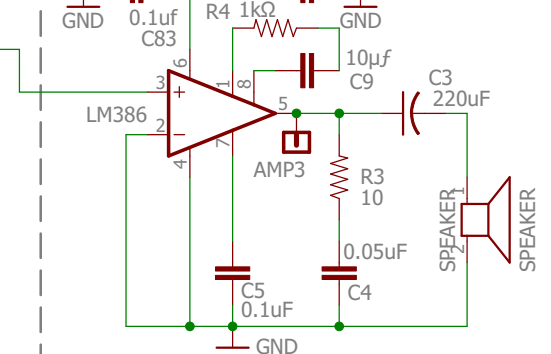
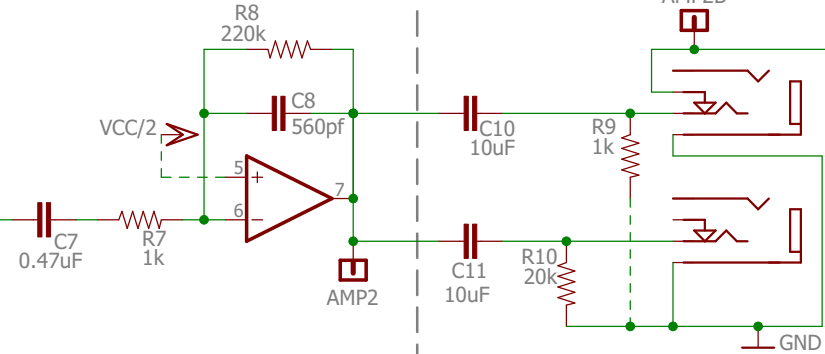


GAIN@4x

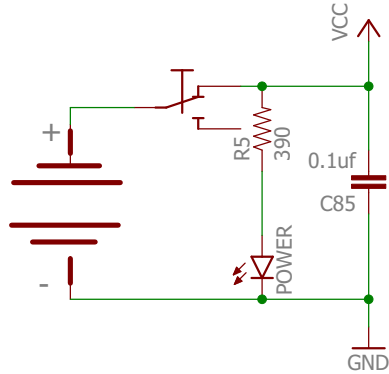
Filter@300-1300Hz Gain@220x

Smartphone and Headphone Output

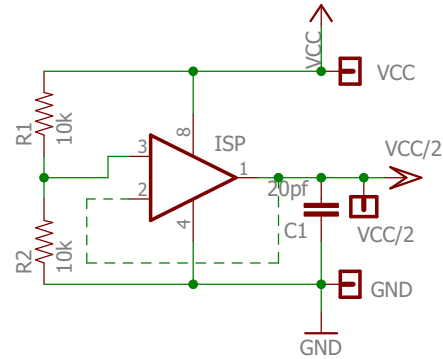
Speaker Output @50x



Battery holder, Power Light and Decoupler



VCC/2 Buffer and Decouplings



INFO

NOTES:

C1 and C82 20pf
 VCC/2 Input on pin(-)
 Outputs separated
 NEW C11 and R10
 C2 and C85 removed

Neuron SpikerBox

*** 1.42 SMD May 2016 ***

