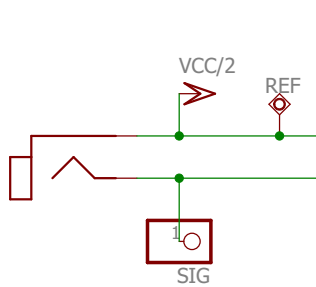
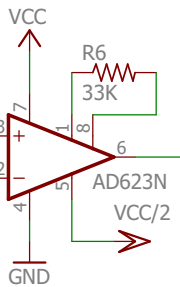


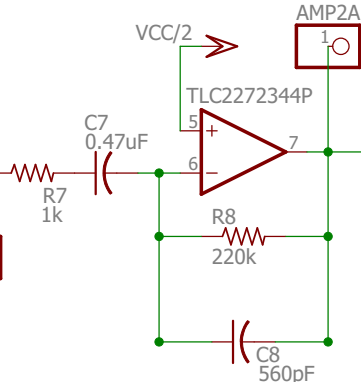
INPUT



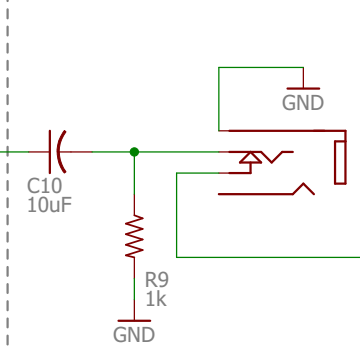
Gain@4x



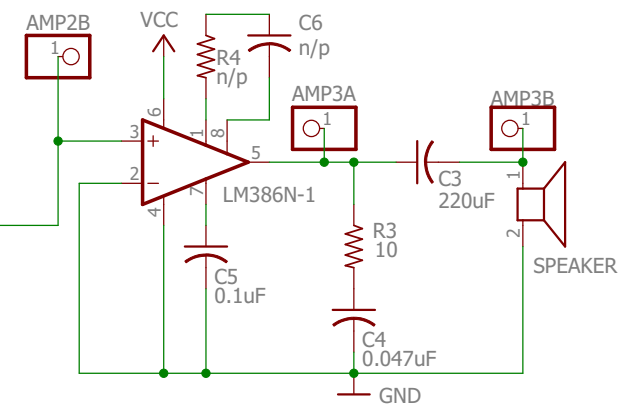
Gain@220x Filter@300-1300Hz



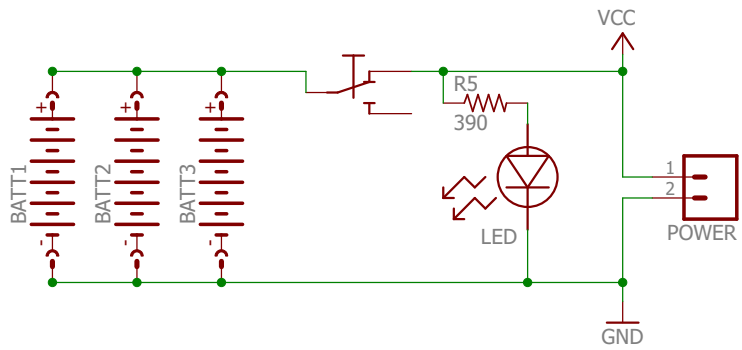
Headphone/Smartphone OUTPUT



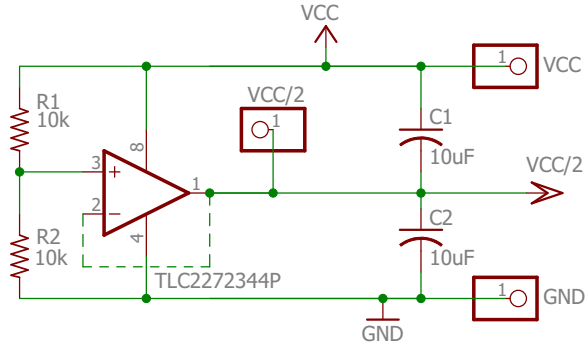
Speaker OUTPUT



Battery Inputs, Switch, Power Light



VCC/2 Buffer and Decouplings



INFO

NOTE:  
C9 and R10 Removed  
R6 2,5x to 4x gain  
R4 and C6 not Populed



### Neuron Spikerbox ###

\*\*\* V1.3C \*\*\*

