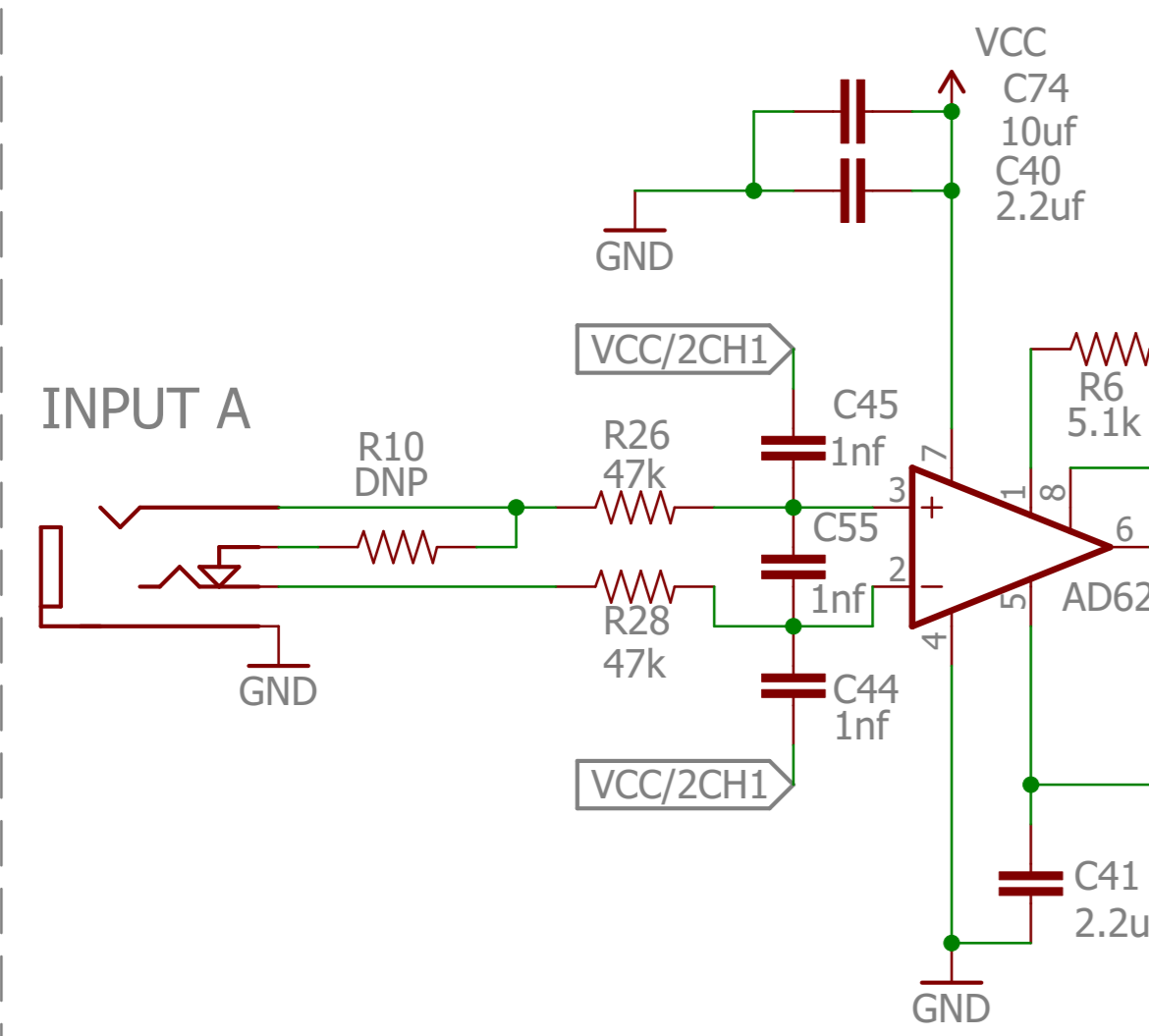
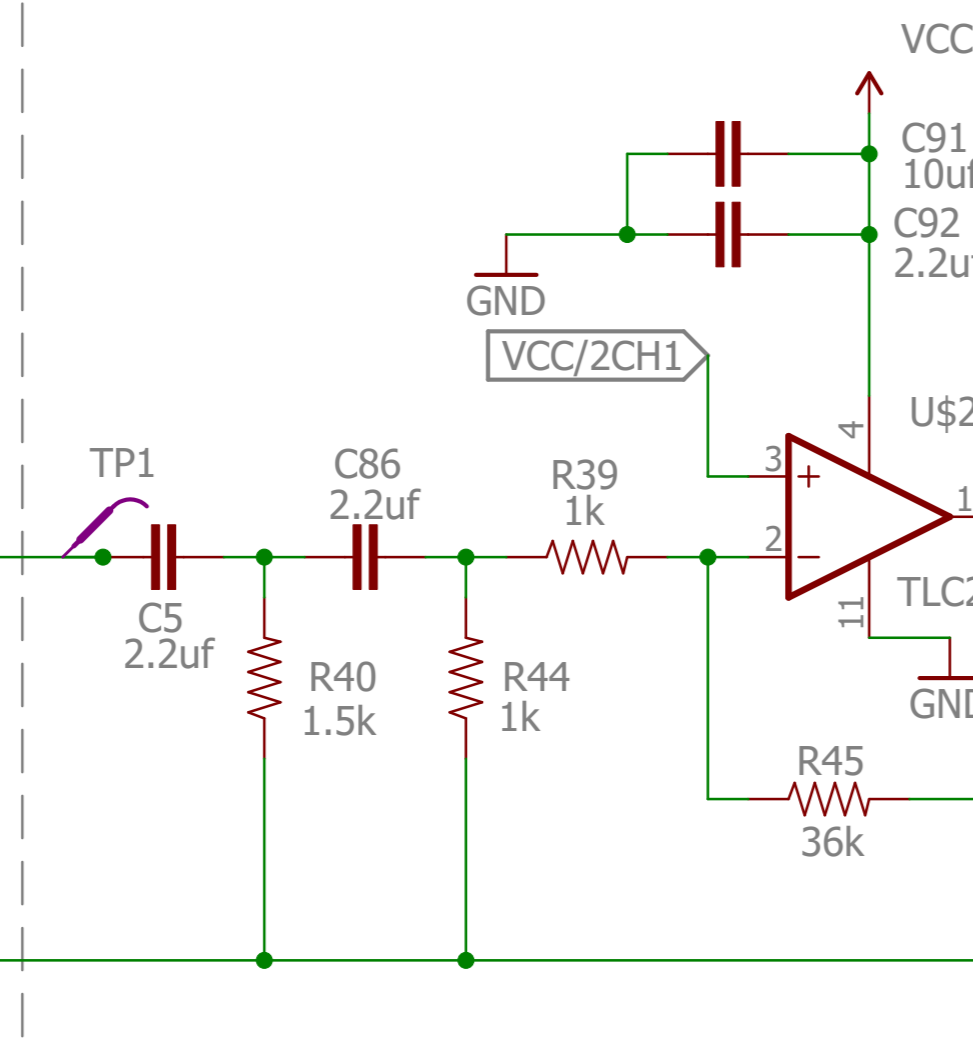


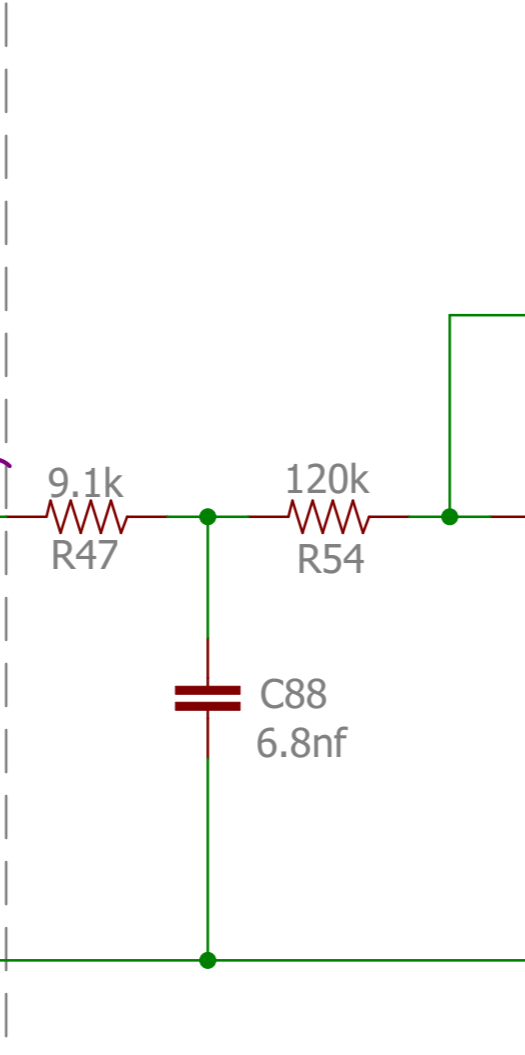
Channel 1 Input Gain@11x



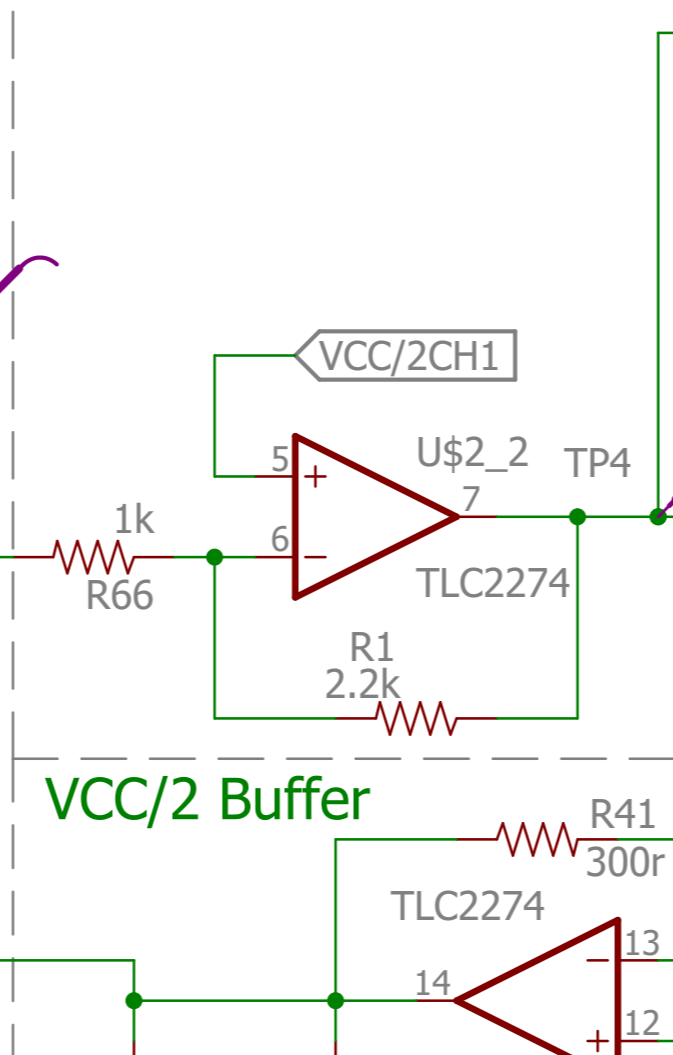
Gain@150x Filter HPF@48Hz->60Hz



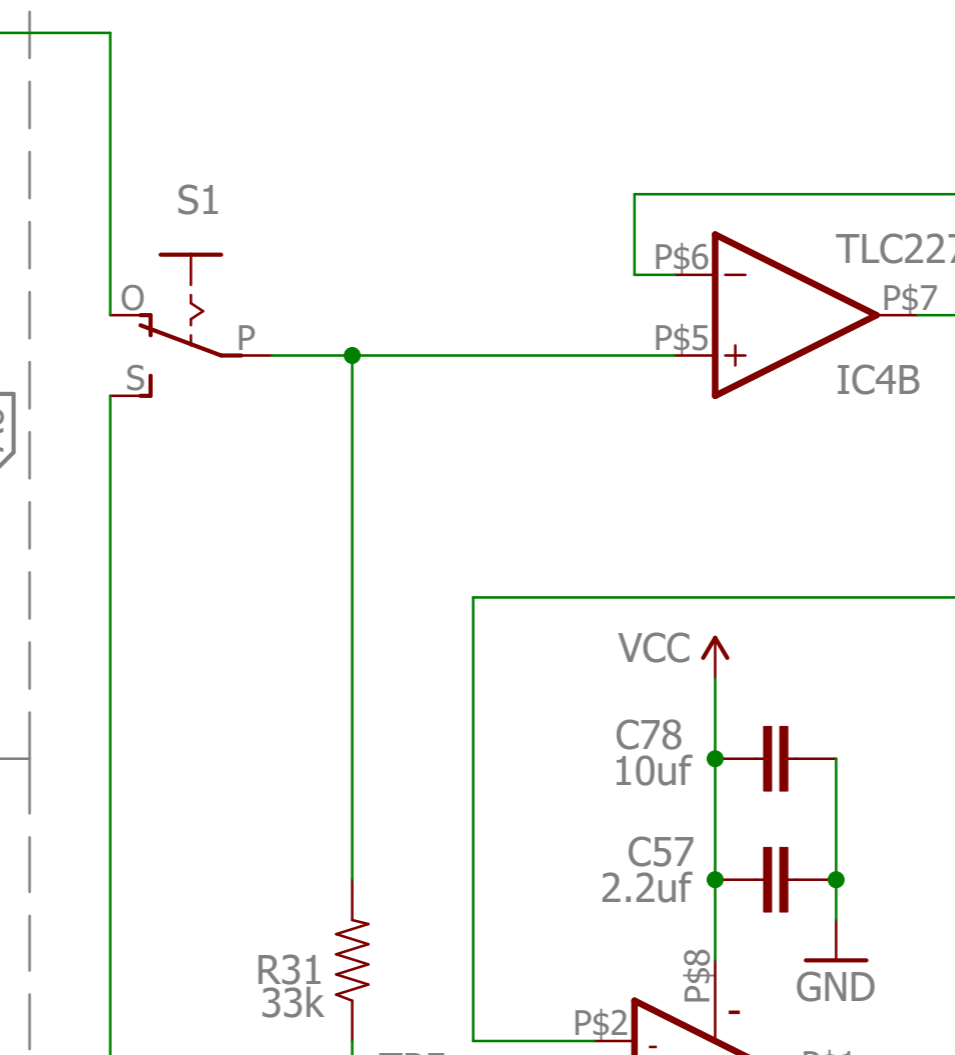
Filter LPF@2500Hz



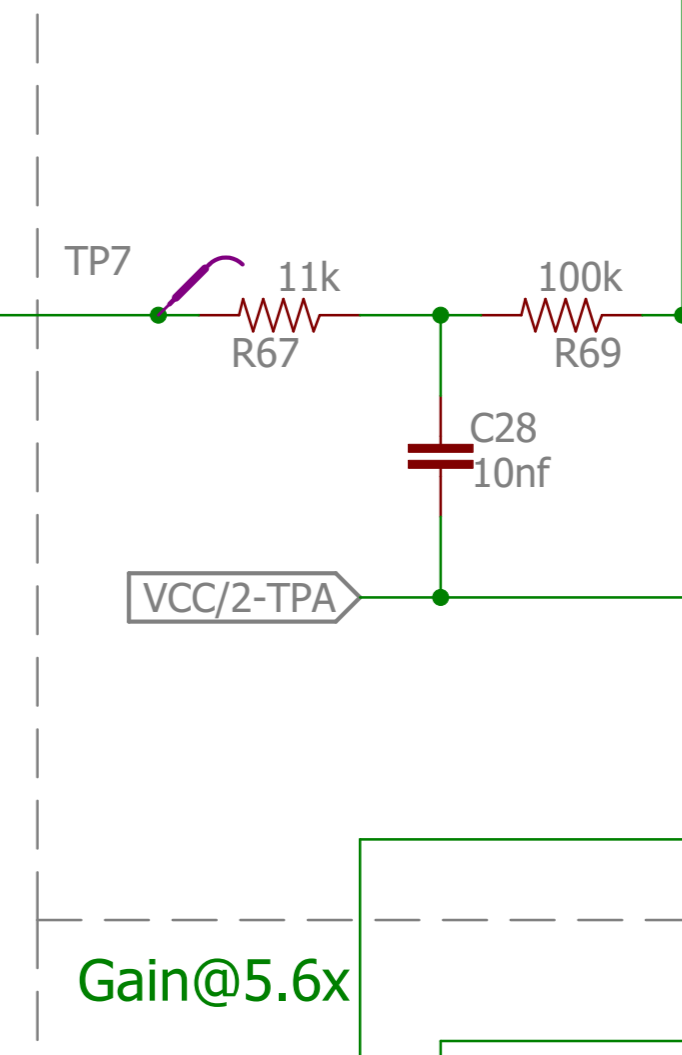
Gain@2.2x to MSP



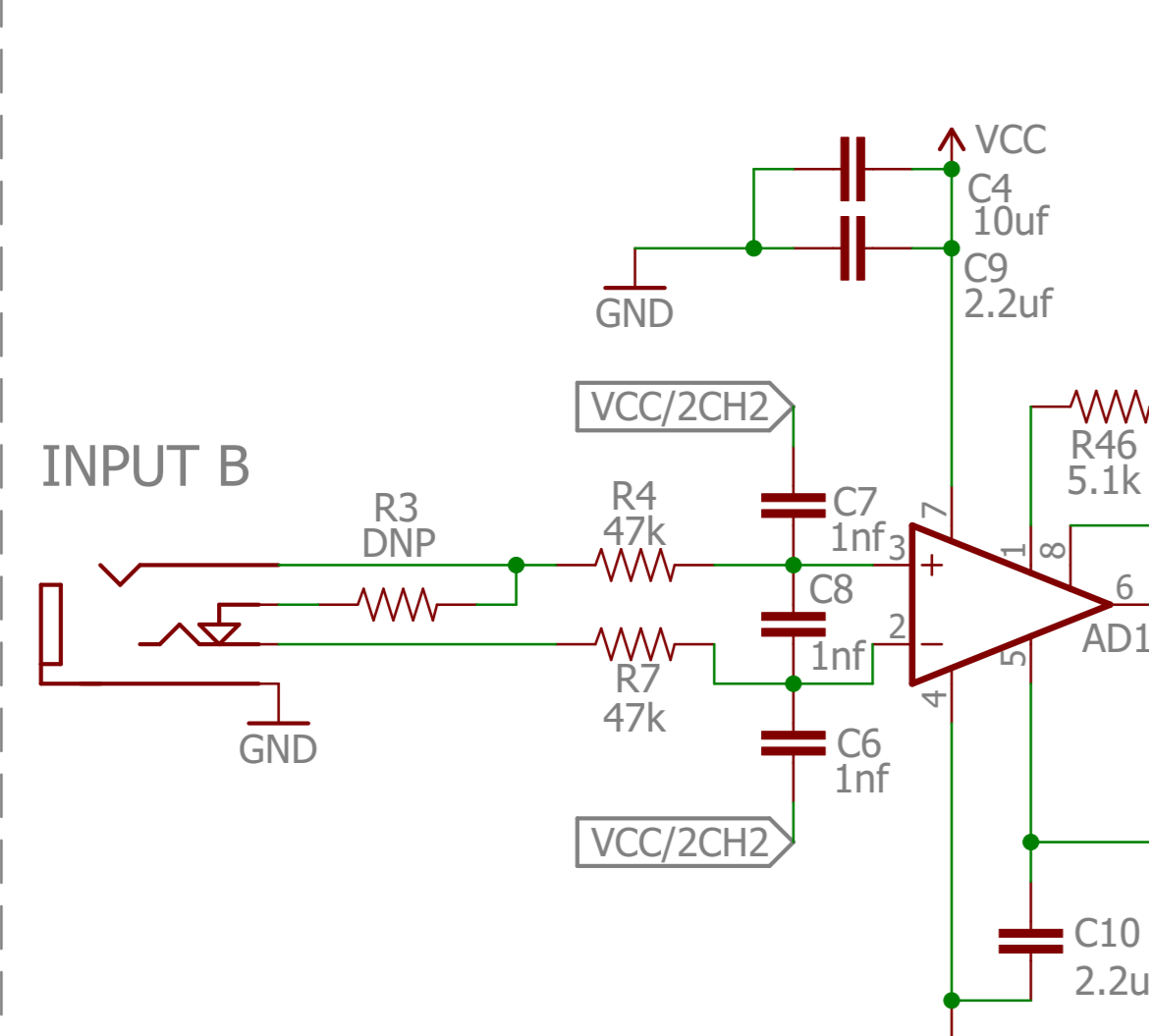
Smartphone OUT and Output Buffer



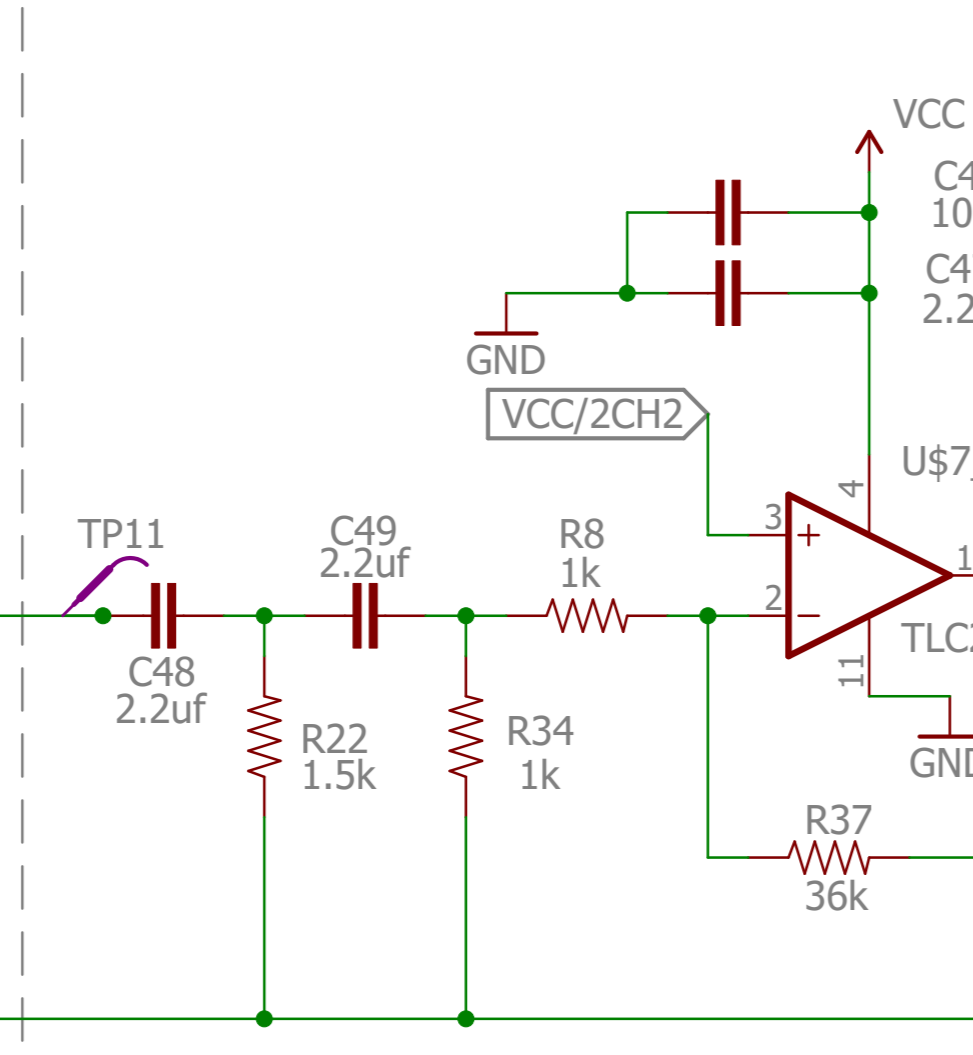
Filter@820Hz to Speaker



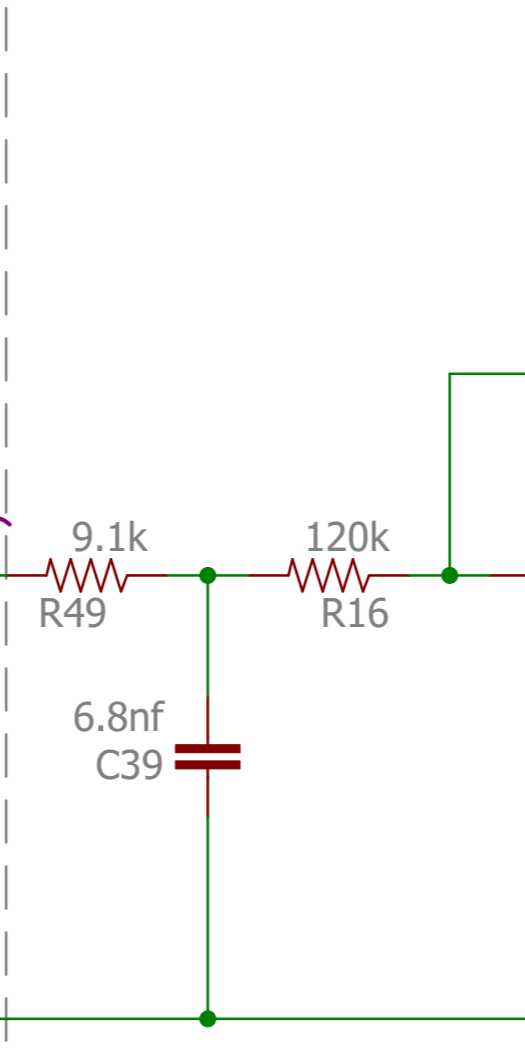
Channel 2 Input Gain@11x



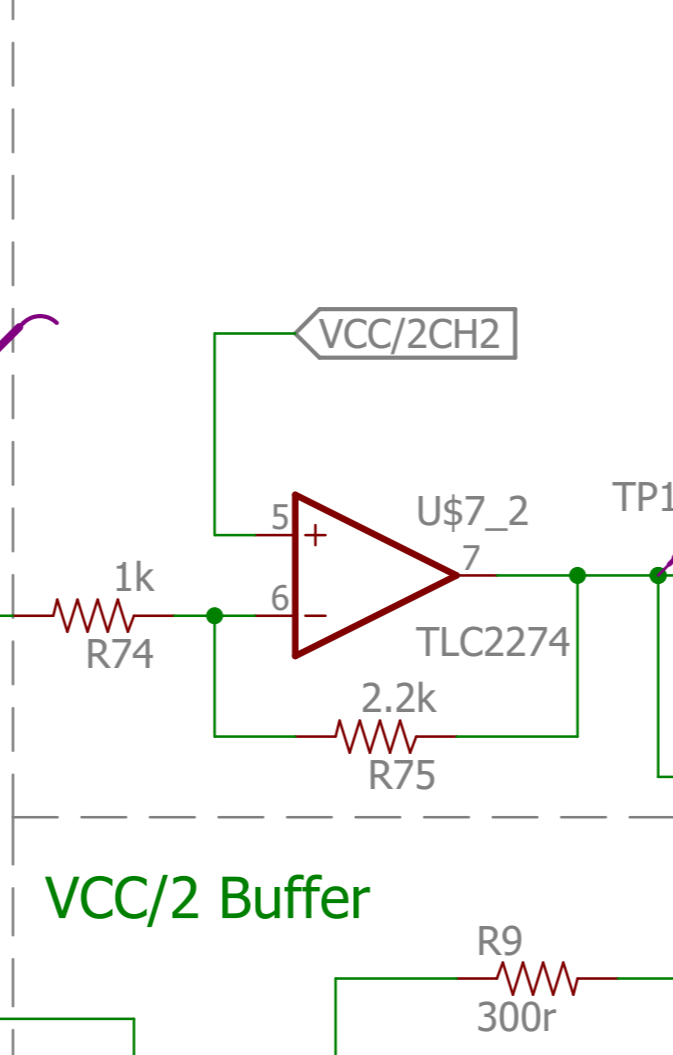
Gain@150x Filter HPF@48Hz->60Hz



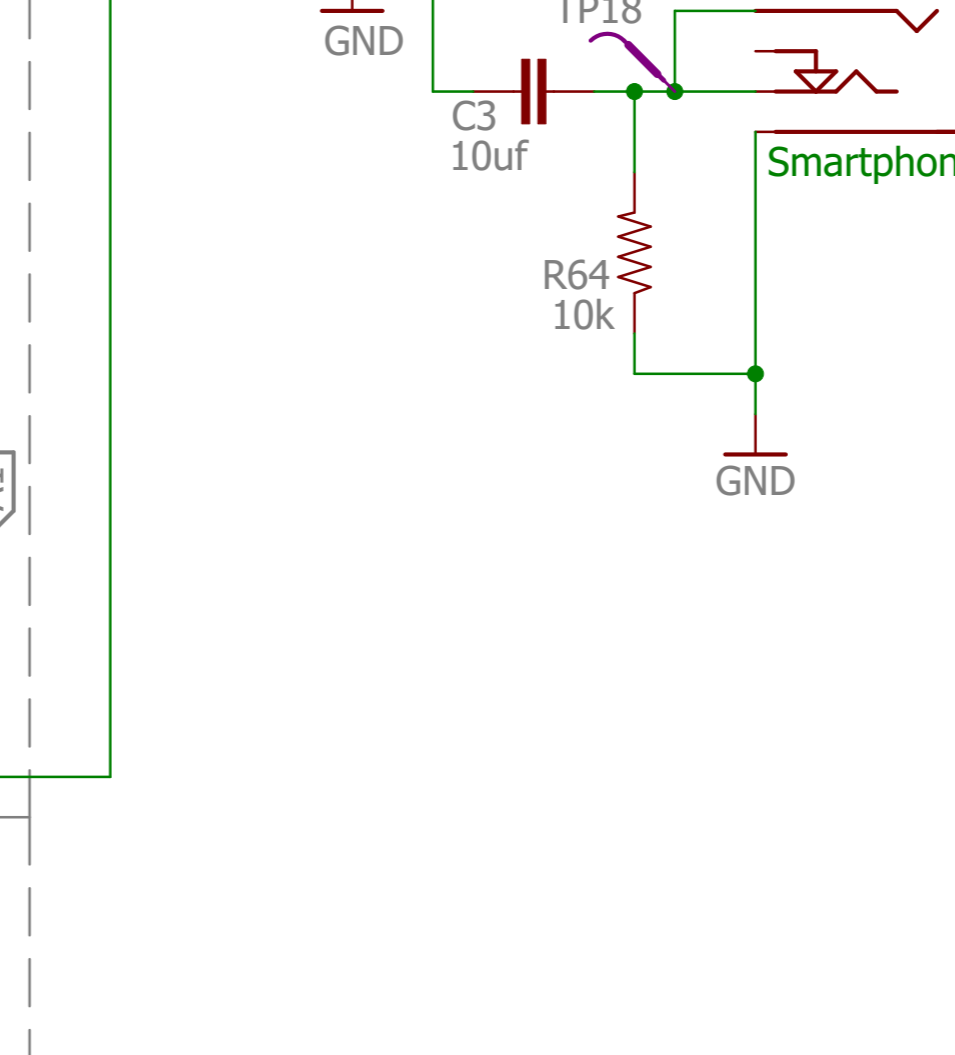
Filter LPF@2500Hz



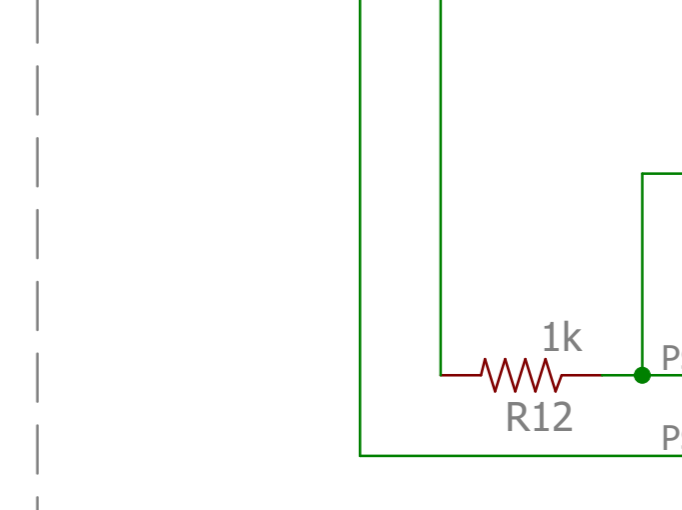
Gain@2.2x Buffer to MSP



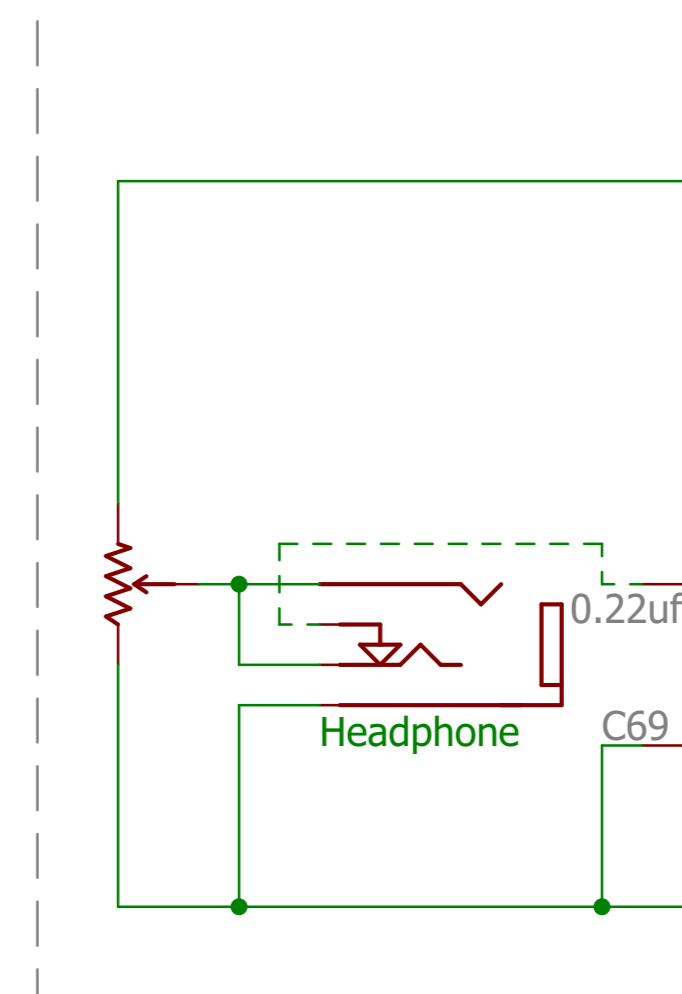
Smartphone



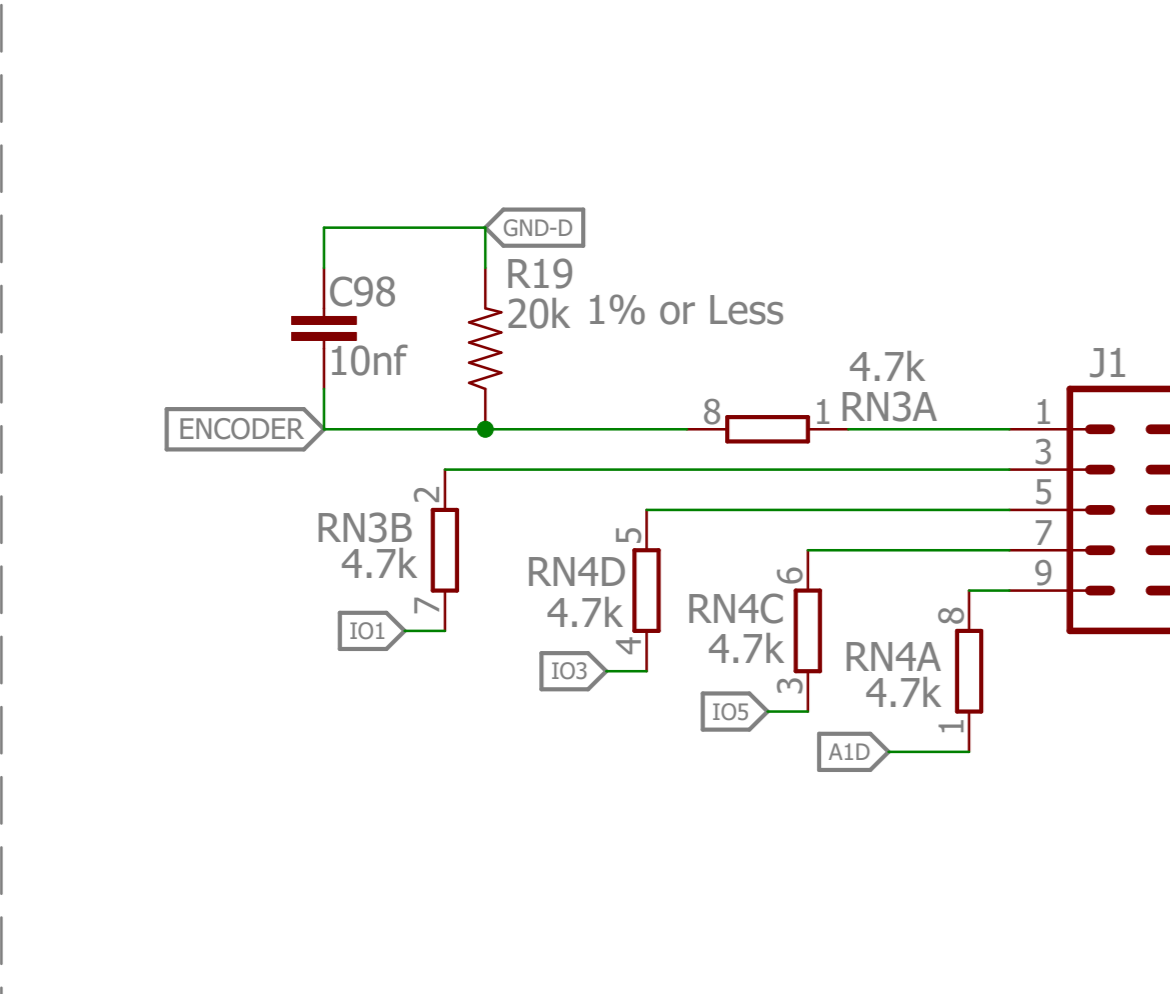
Gain@5.6x



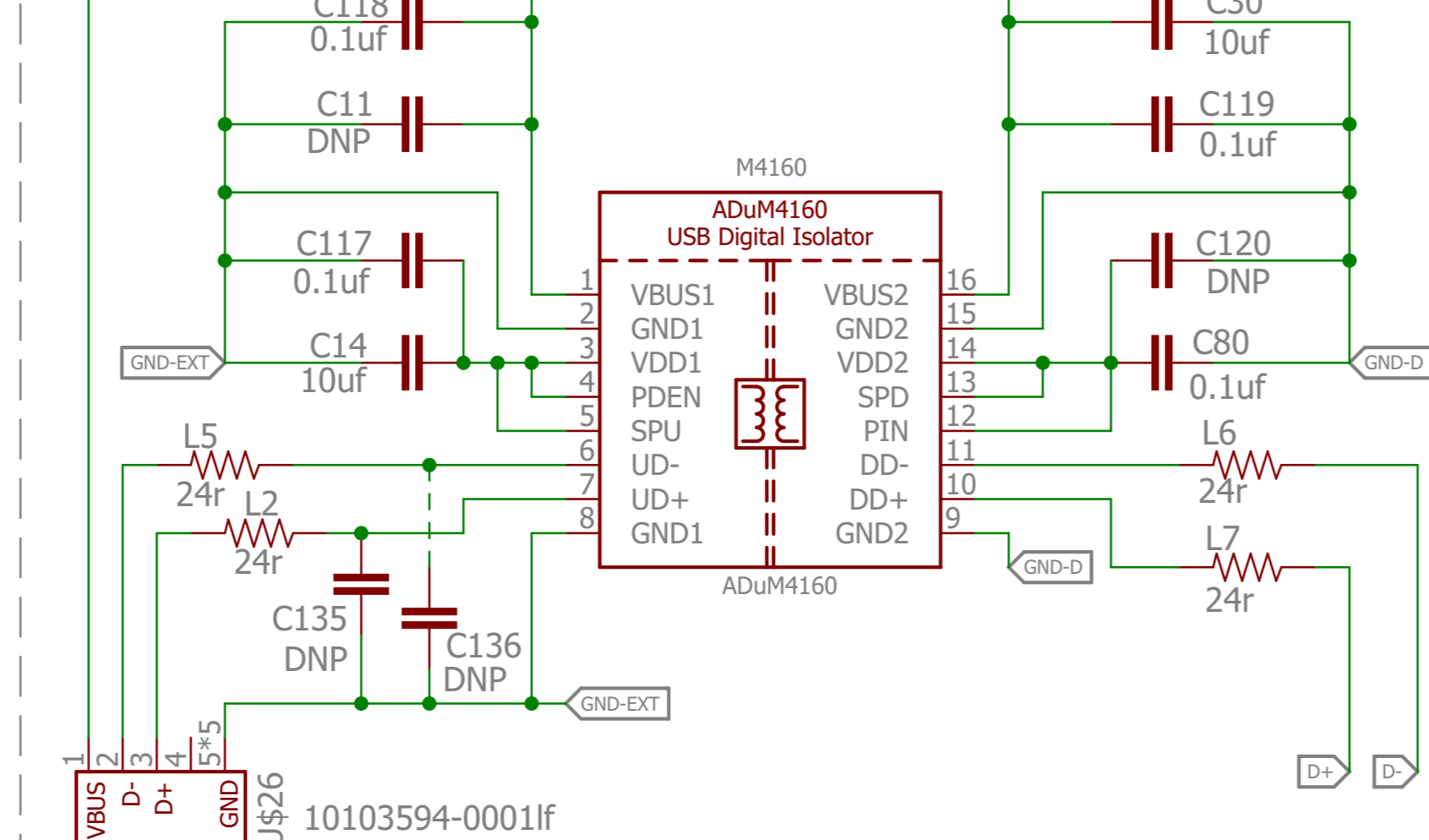
Gain@17x Filter HPF@300Hz



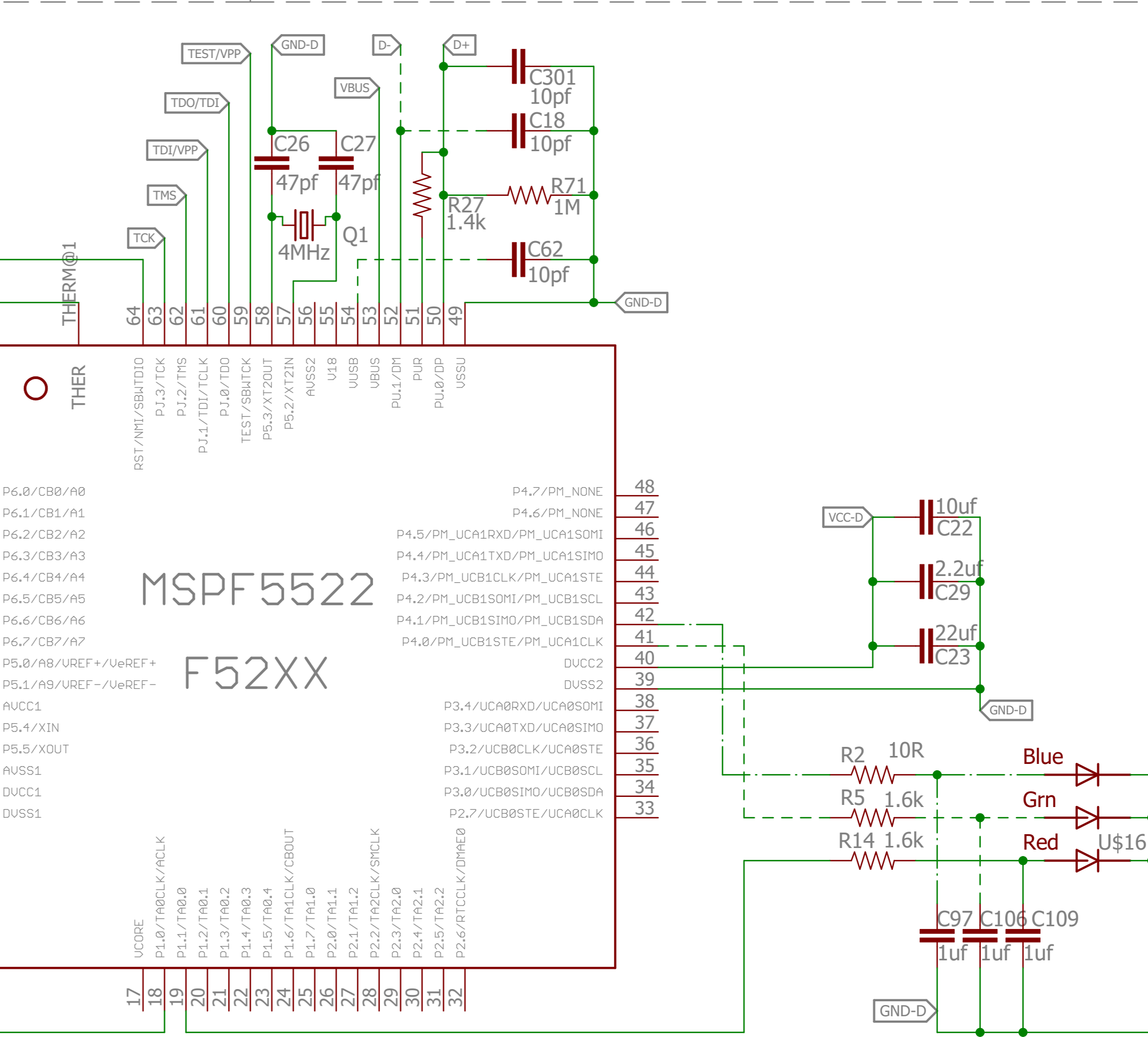
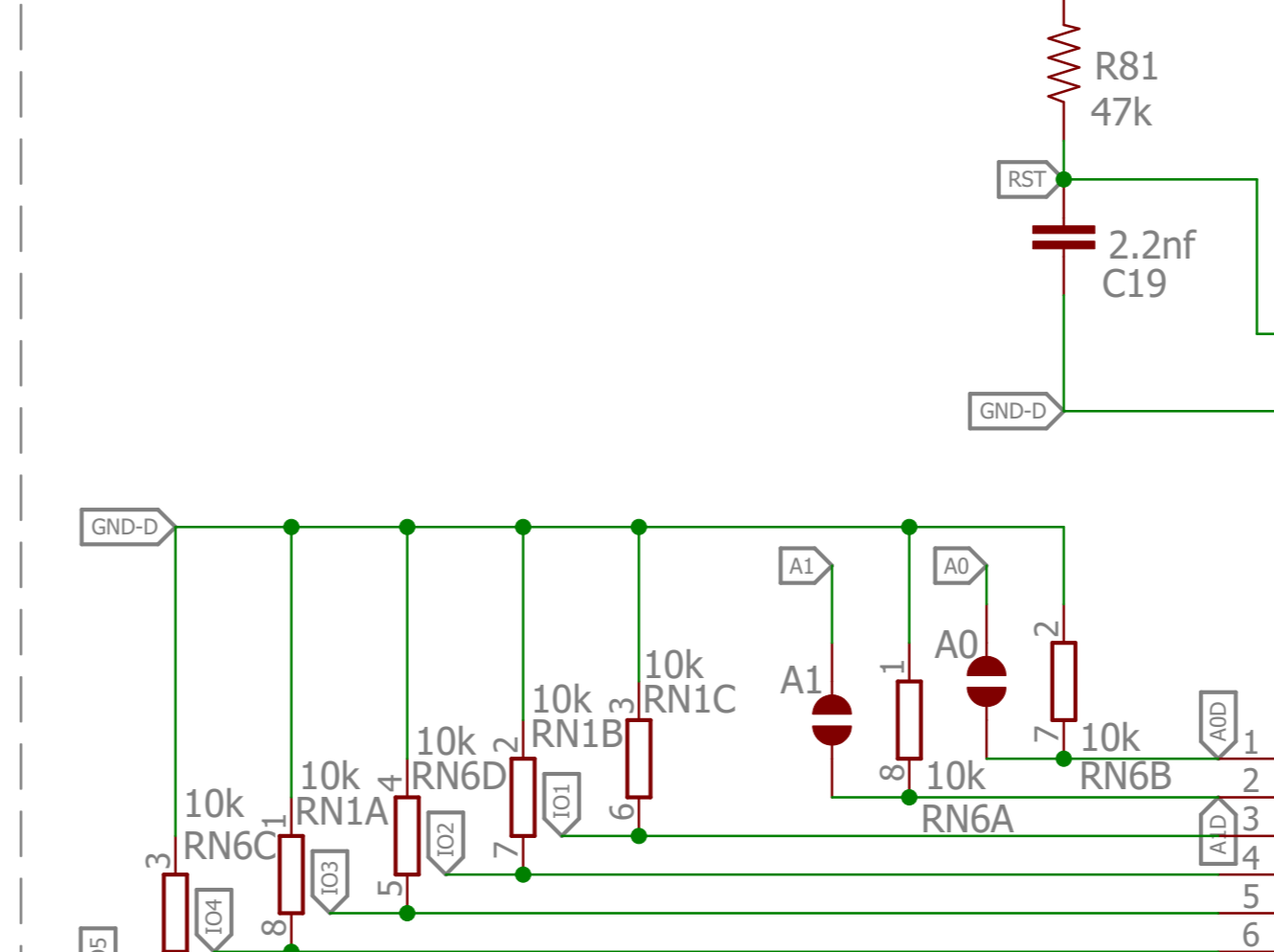
Expand Port Interface and Relay



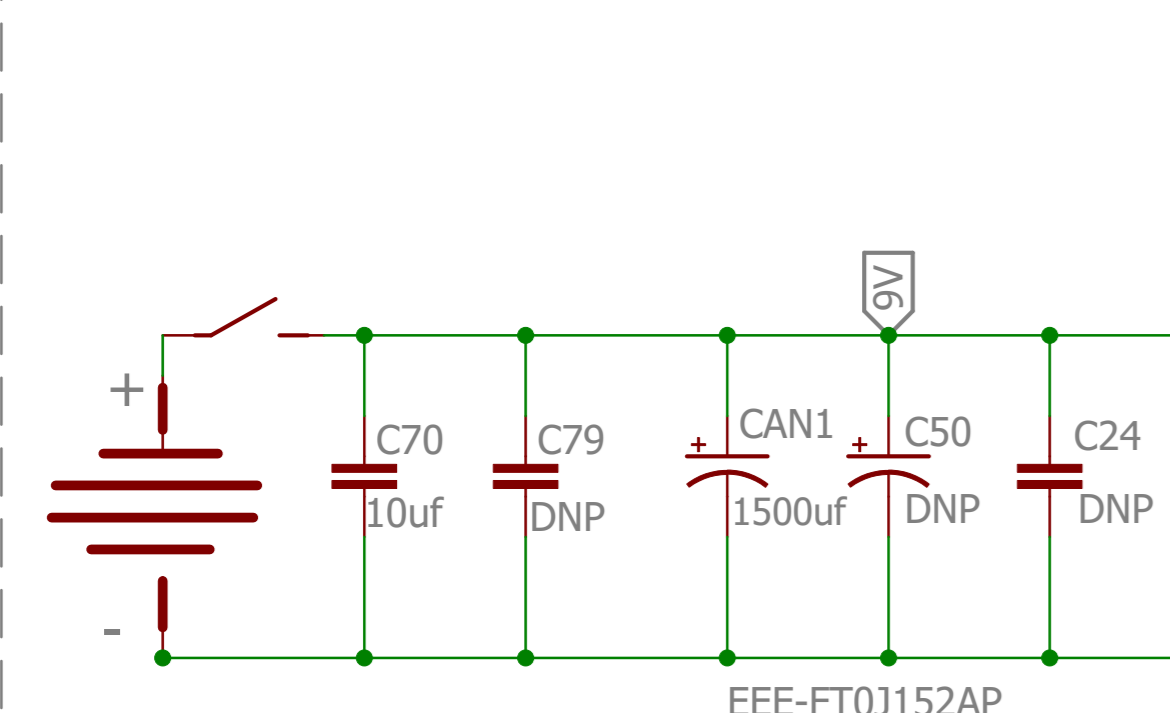
USB Isolator



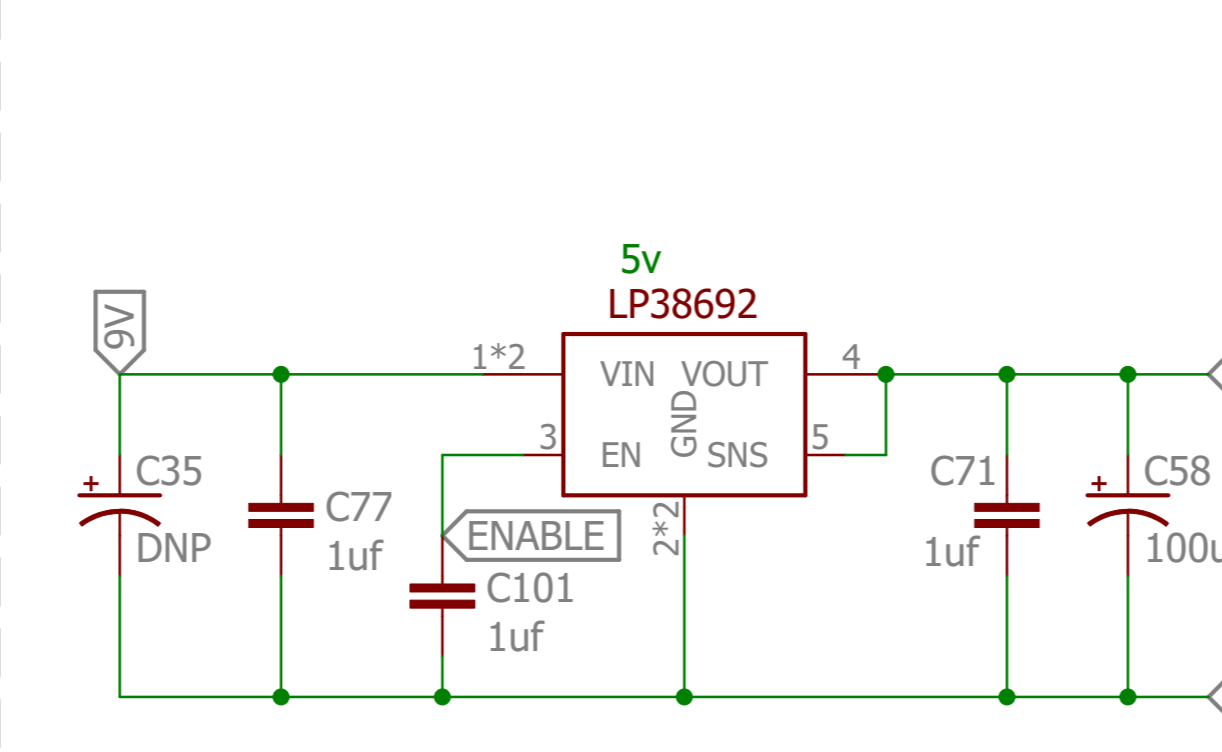
MSP Interface



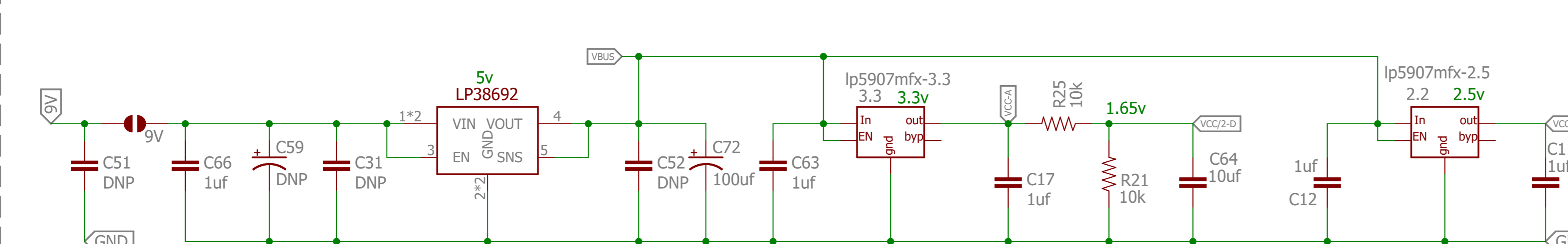
TPA Voltage Regulator 5V@1A and VCC/2



Analog Voltage Regulator 5V@1A



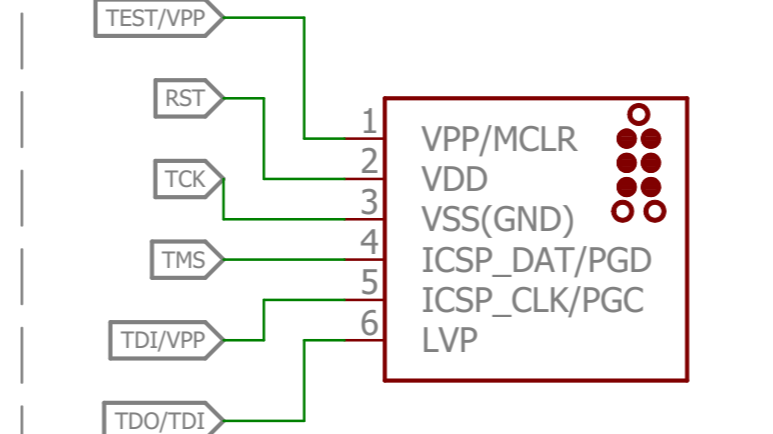
MSP Voltage Regulator 5V@1A 3.3V@250mA 2.5V@250mA AVCC/2



Analog Digital Bridge



MSP POGO Interface



INFO

- Notes:
- Release key Bandpass Filter
- Individual vcc/2 Buffers
- Smartphone Output buffers
- 3.2W Speaker output amplifier
- 3 Ground Planes: Analog, Digital and USB
- MSP430F5522 Microprocessor
- Expandable Interface
- 5 power supplies
- Power supply electronic interaction(on/off)
- Supercap 1.5mf on TPA6211a1 regulator
- Input resistor on digital IOs allowing 5v input
- IOs pull down resistor
- Rounded USB traces
- USB isolated module

- RGB LED with Status indicator
- Solid Green (Full Battery)
- Blinking 3 times blue (Connected to Expand Module)
- Blinking Red (Half Life Battery)
- Solid Red (Replace Battery)

Legend:

- Resistor
- Capacitor
- Bridge
- Flag
- Test Point
- 3.5mm Audio
- INamp
- OPamp
- Regulator

