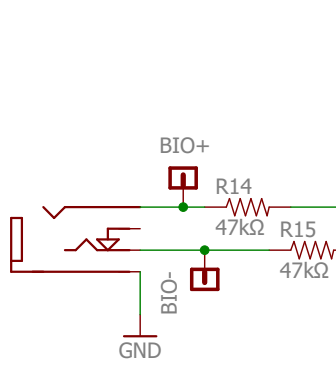
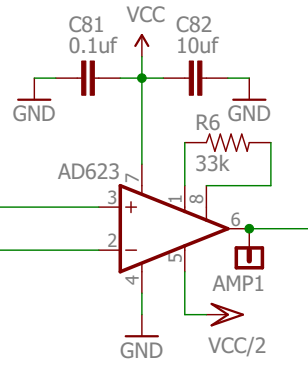


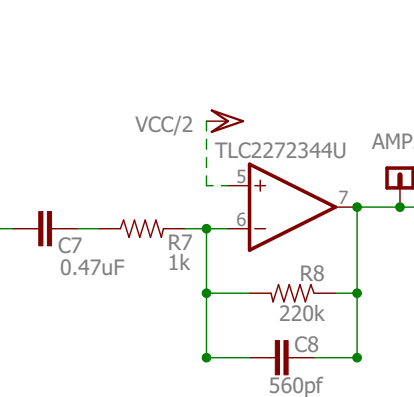
INPUT



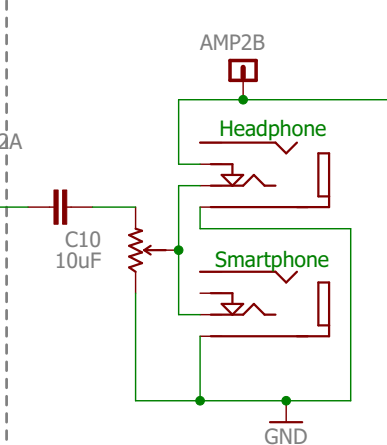
Gain@4x



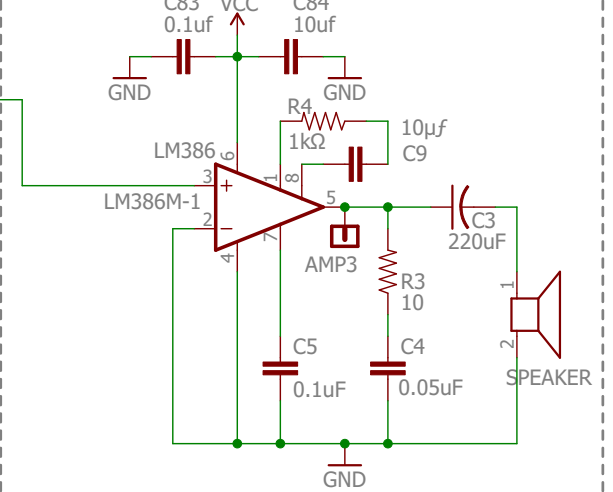
Gain@220x Filter@300Hz to 1300Hz



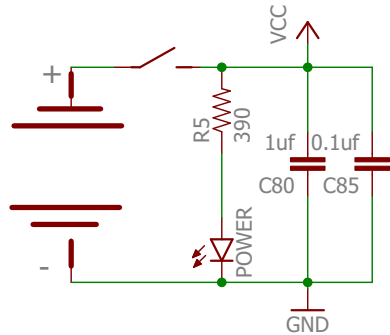
Smartphone and Headphones OUTPUT



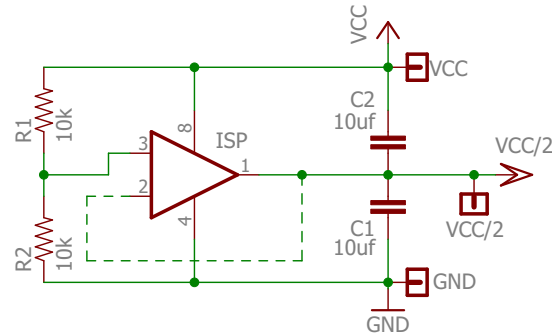
Gain@50x Speaker OUTPUT



Battery Holder, Power Light and Decouplings



VCC/2 Buffer and Decouplings



INFO

NOTES:

All Part SMD 0603
 New Output added
 Decoupling Capacitors
 Both outputs with new 3.5mm BYB customized

Muscle Spikerbox

*** V1.21 ***

