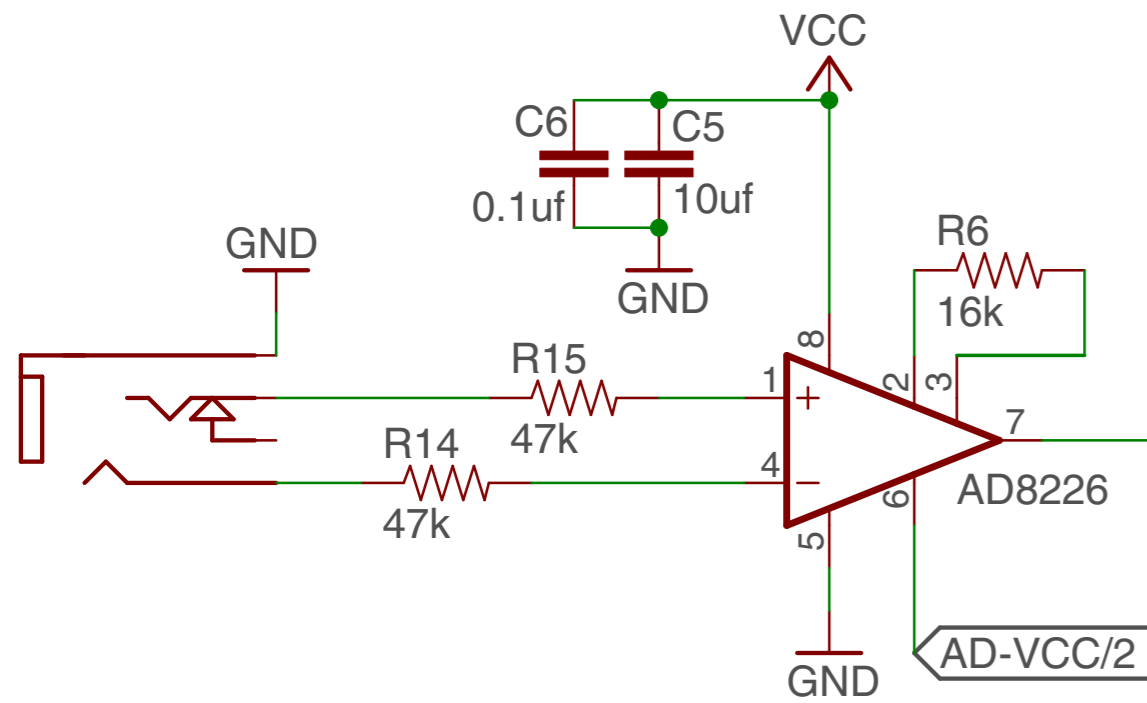
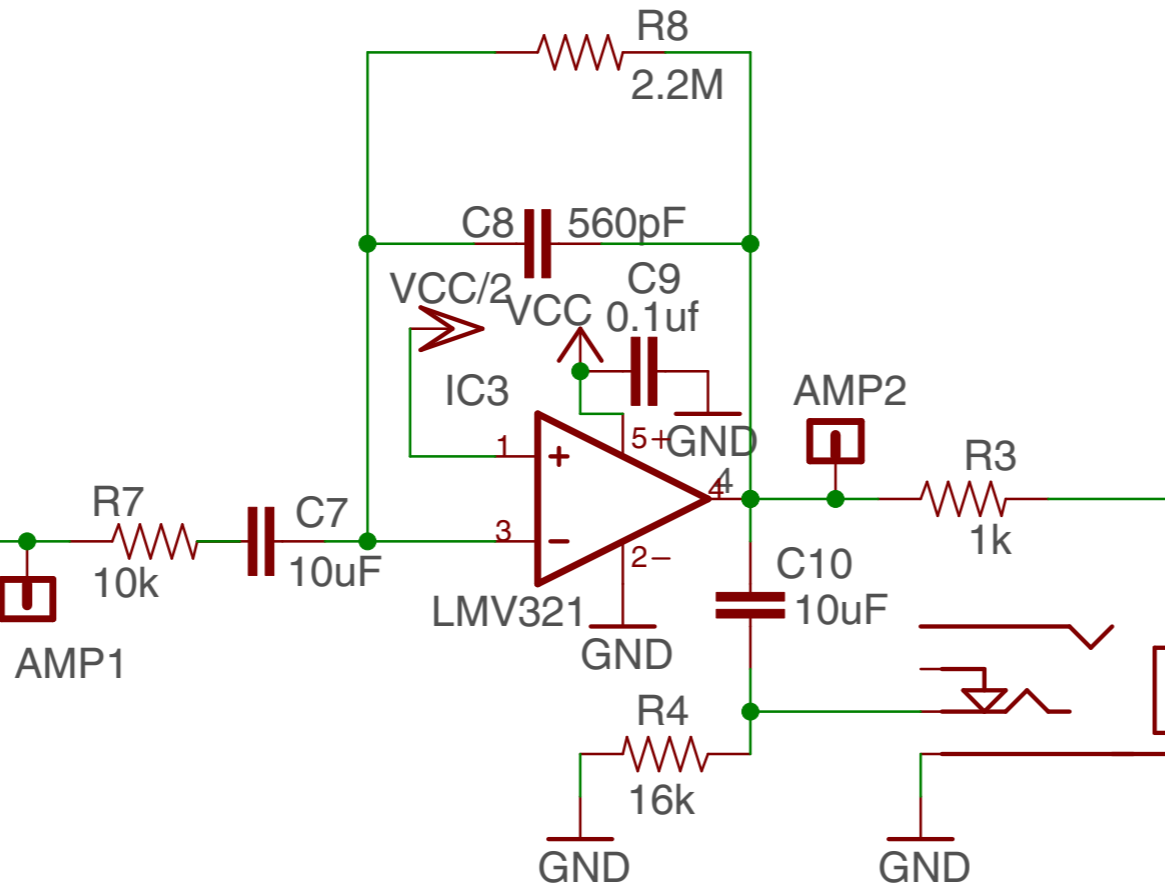


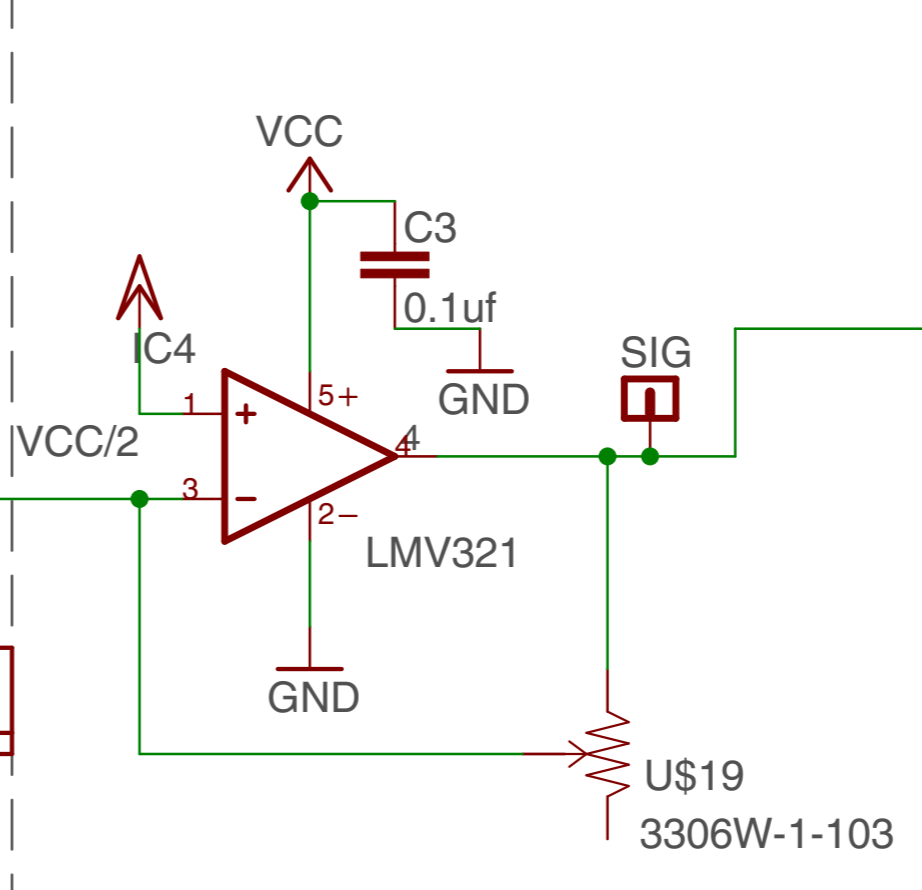
INPUT Gain@4x



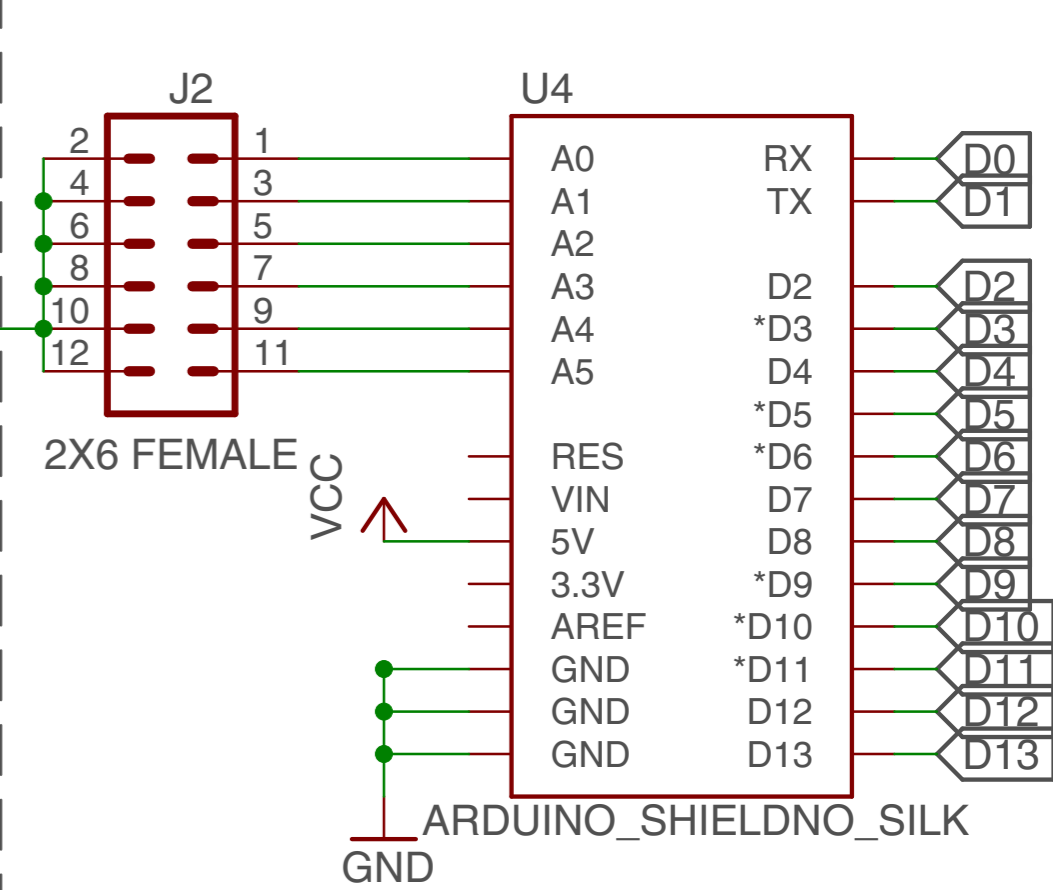
Filter@1Hz to 130Hz Gain 220x



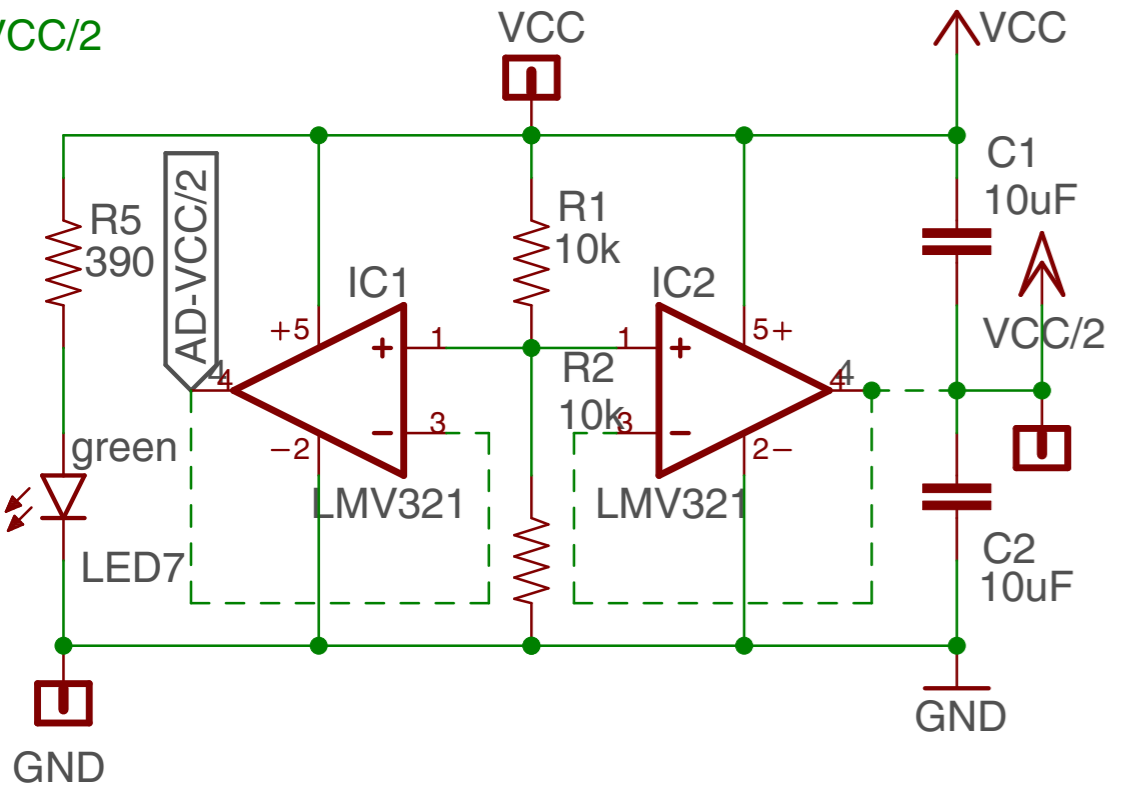
Gain@Variable 1 to 10x



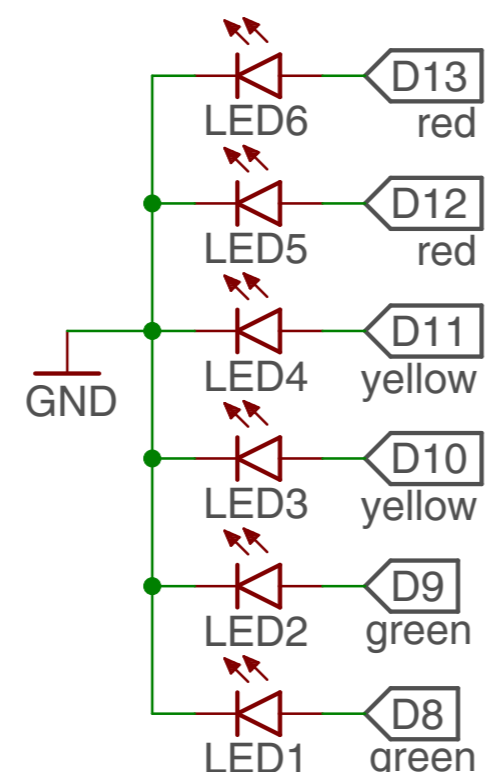
Arduino Interface



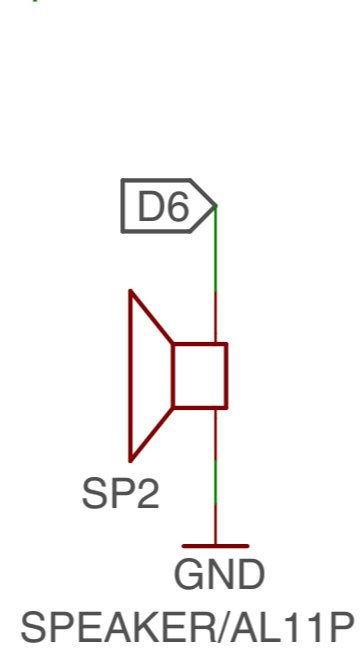
VCC/2



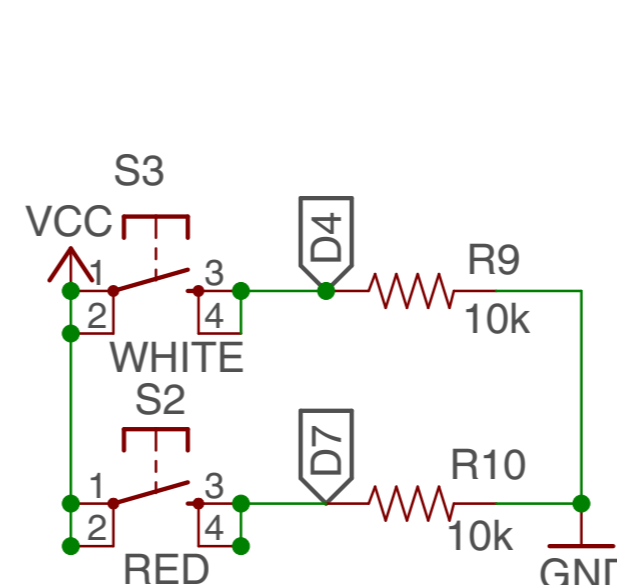
LED indicators



Speaker Out



Buttons



Info

NOTE:
 New SMT board
 New INAMP AD8226
 New LMV321(LV321)
 IC decoupling
 Smartphone pull down output @ 0.99Hz

###Heart & Brain Spikesshield###

*** U1.51 - May 2017 ***

