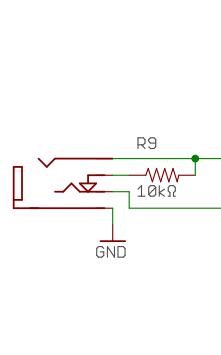
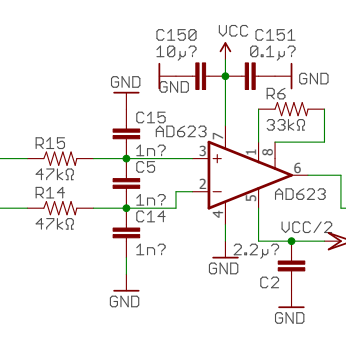


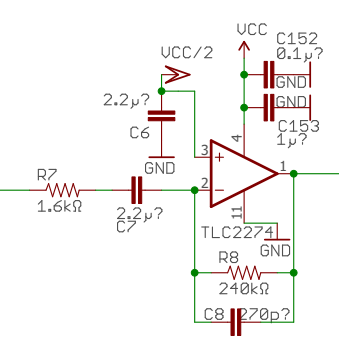
[A] INPUT



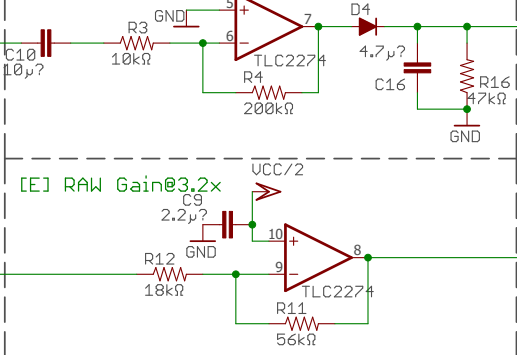
[B] Gain (4x)



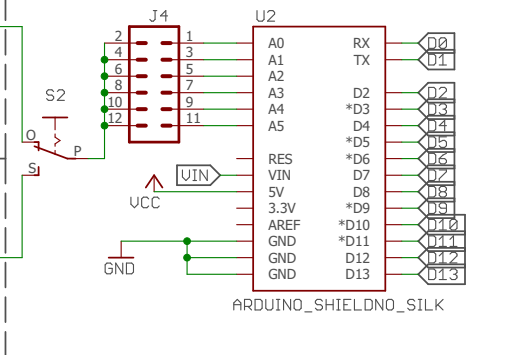
[C] Gain (150x)  
Bandpass Filter @50-2500Hz



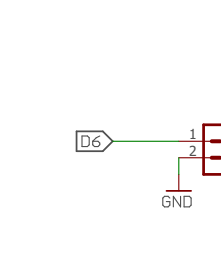
[D] Envelope Gain@20x



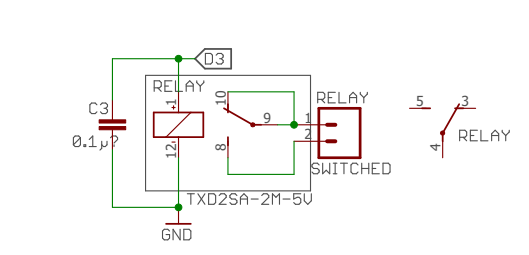
[F] Channel Select and Arduino Interface



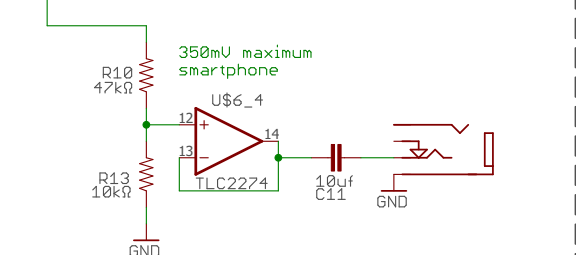
[H] AUX Port



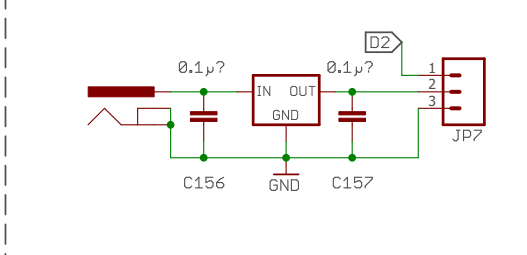
[I] Relay port HH Interface



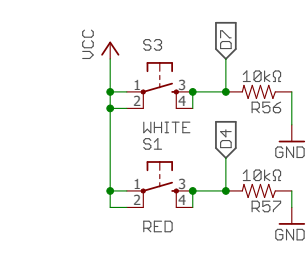
[J] Divider and Buffer to Smartphone



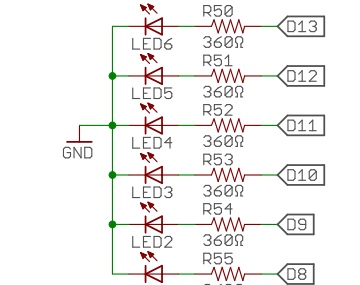
[K] Voltage Regulator for Claw/Hand



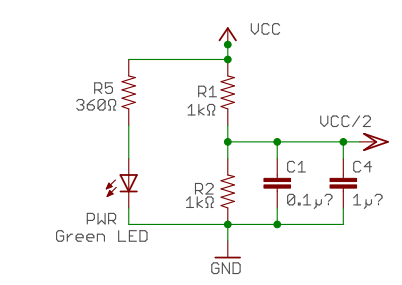
[L] Buttons



[M] LED out from Arduino



[N] Power LED, Ucc/2 with Decoupling



[O] NOTES

- Smartphone DC fixed  
 -Schematic labels fixed

### Muscle SpikerShield ###  
 === V2.61 January 2017 ===

